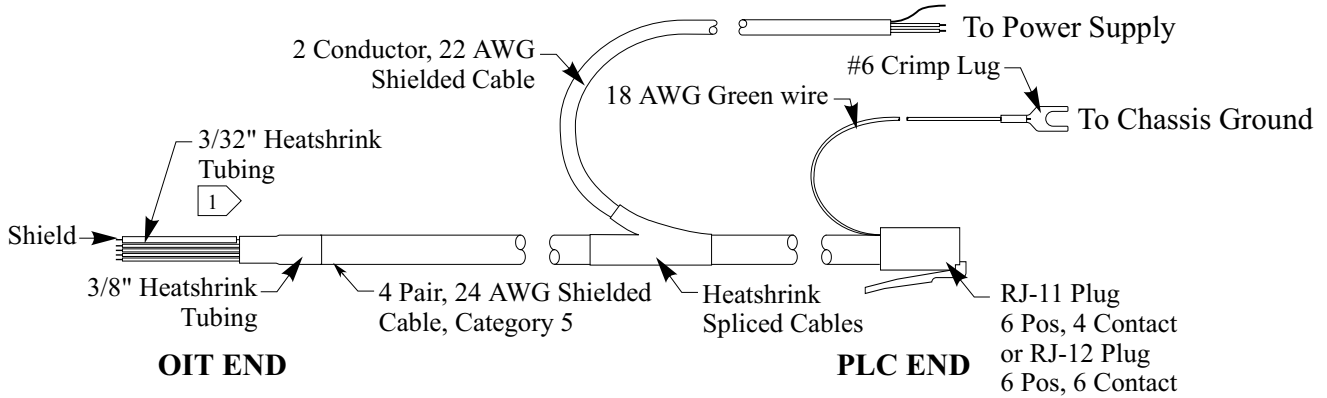




Controller Model: **Keyence KV Series**
 Maple OIT Model: **MAP460D, OIT3600B**
 Communication Type: **RS-232 with RJ-11 or RJ-12 Plug at PLC**

Use the wiring diagram and illustration to assemble a communication cable for use with a Keyence KV Series PLC.



NOTES:

- 1 Install heatshrink on shield (bare wire) to avoid shorting to components.
- 2 Splice cables and shield. Heatshrink and seal connection.
- 3 Numbering for the PLC end is shown with both conventional RJ-12 numbering and with Keyence numbering. Keyence numbering is reversed from conventional.

