

C A B L E A S S E M B L Y I N S T R U C T I O N

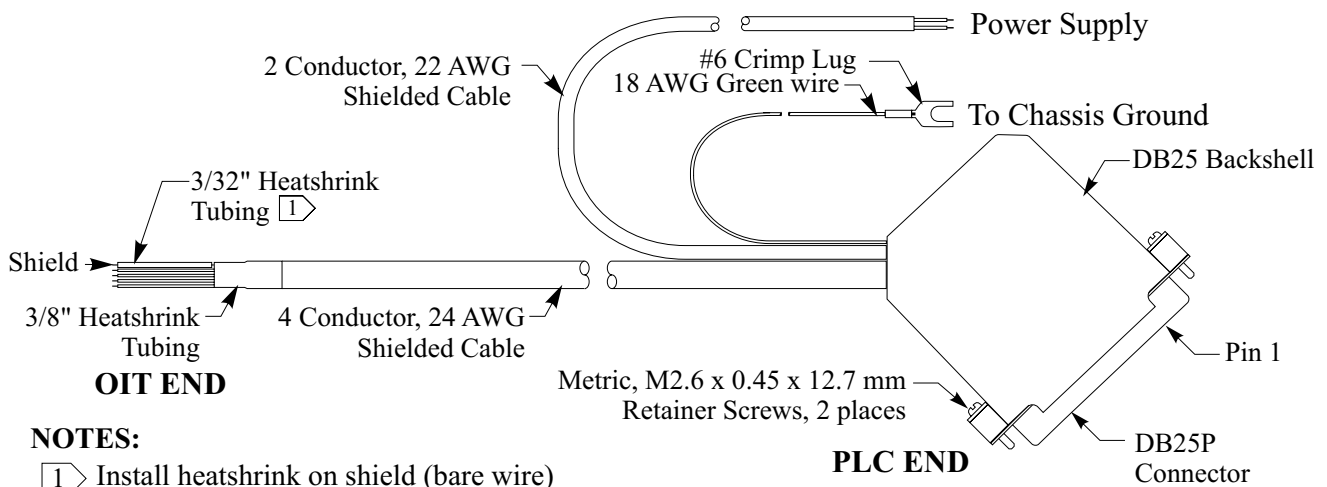


Controller Model: **Koyo DL305 (D3-330 CPU, D3-350 CPU)**

Maple OIT Model: **MAP460D, OIT3600B**

Communication Type: **RS-232 with DB25 connector at PLC**

Use the wiring diagram and illustration to assemble a communication cable for use with a Koyo DL305 PLC (D3-330 CPU with D3-232 DCU module or D3-350 CPU, Port 2).



NOTES:

- 1 Install heatshrink on shield (bare wire) to avoid shorting to components.
- 2 Twist together 18 AWG green wire and shield wire. Solder wires and insulate with heatshrink tubing to avoid shorting.

