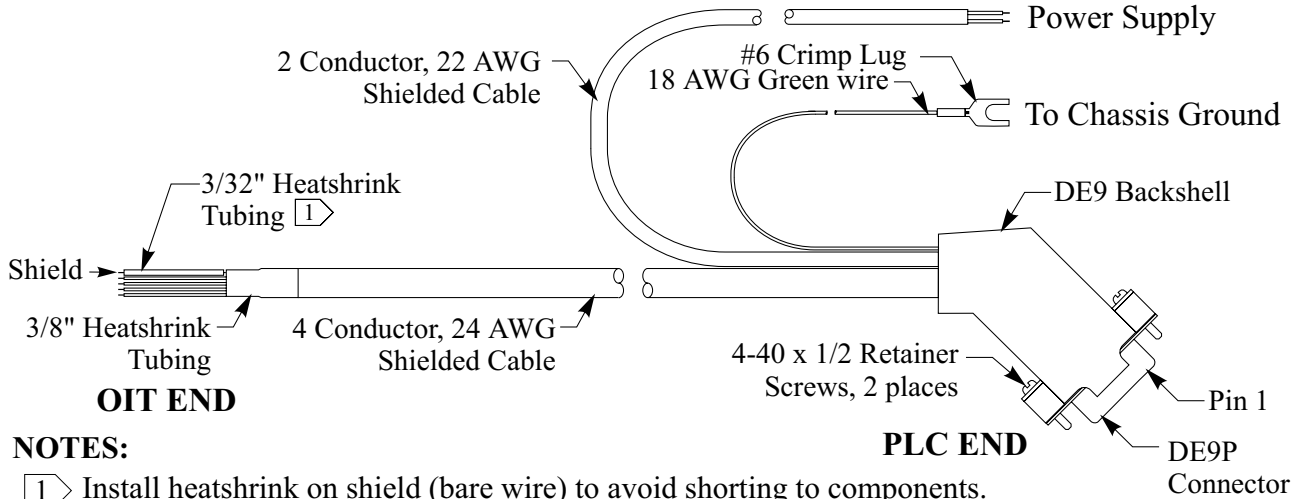




Controller Model: **Modicon Micro**  
 Maple OIT Model: **MAP460D, OIT3600B**  
 Communication Type: **RS-232 with DE9 connector at PLC**

Use the wiring diagram and illustration to assemble a communication cable for use with a Modicon Micro PLC. This cable requires a Modicon 9-pin female adapter (P/N 110 XCA 203 00).



**NOTES:**

- 1 Install heatshrink on shield (bare wire) to avoid shorting to components.
- 2 Twist together 18 AWG green wire and shield wire. Solder wires and insulate with heatshrink tubing to avoid shorting.

