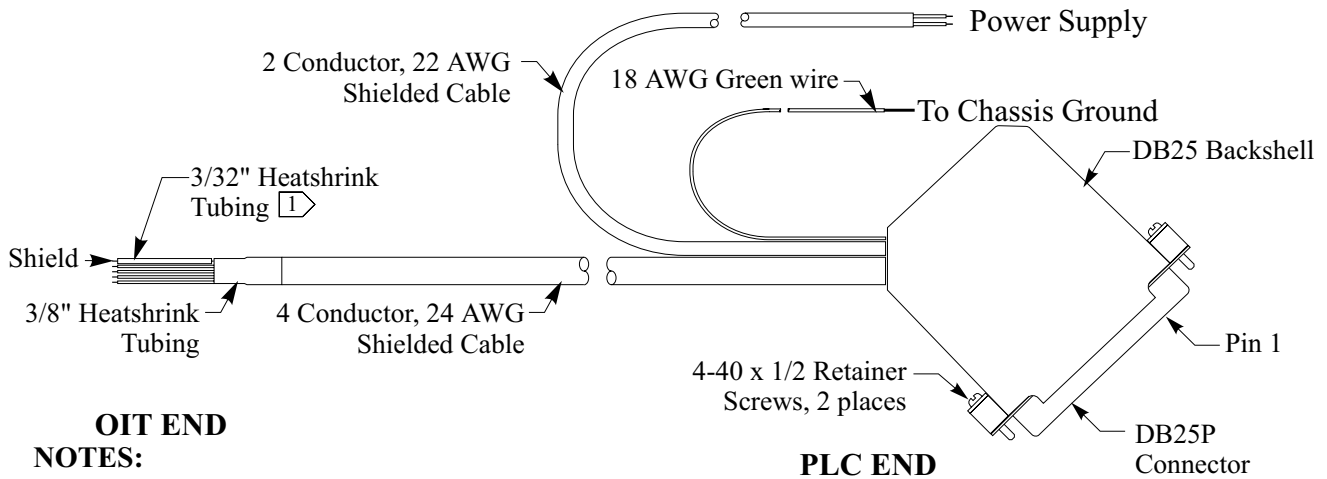




Controller Model: **Siemens SIMATIC TI505**  
 Maple OIT Model: **MAP460D, OIT3600B**  
 Communication Type: **RS-232 with DB25 connector at PLC**

Use the wiring diagram and illustration to assemble a communication cable for use with a Siemens SIMATIC TI505 PLC.



**OIT END**

**NOTES:**

- 1 Install heatshrink on shield (bare wire) to avoid shorting to components.
- 2 Twist together 18 AWG green wire and shield wire. Solder wires and insulate with heatshrink tubing to avoid shorting.

