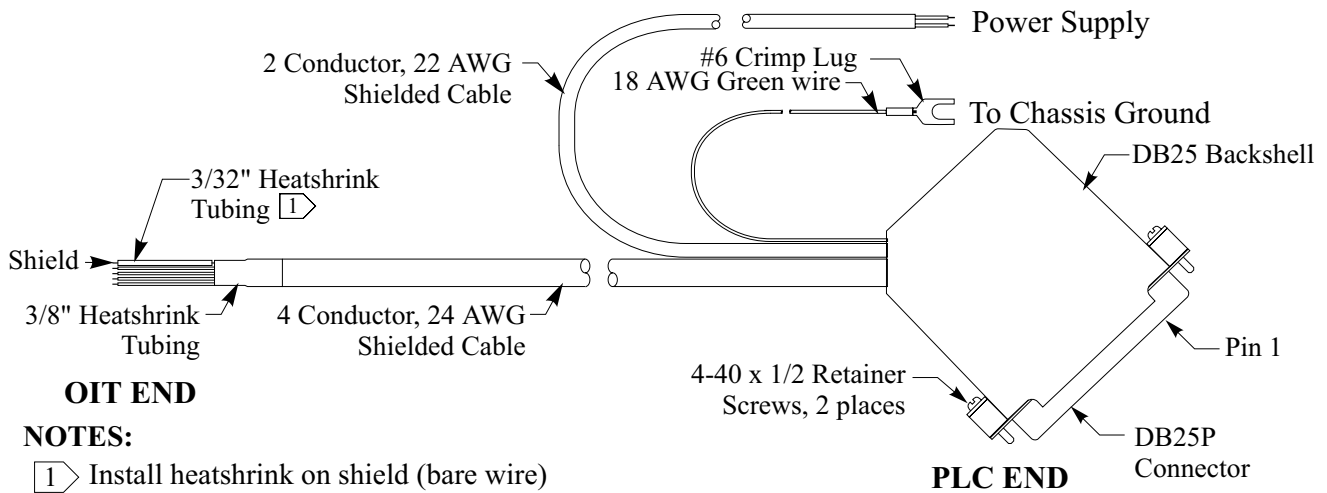




Controller Model: **Siemens SIMATIC S5**
 Maple OIT Model: **MAP460D, OIT3600B**
 Communication Type: **RS-232 with DB25 connector at PLC**

Use the wiring diagram and illustration to assemble a communication cable for use with a Siemens SIMATIC S5 PLC. This cable requires a Siemens cable converter (P/N 6ES5734-1BD20 self powered).



OIT END

NOTES:

- 1 Install heatshrink on shield (bare wire) to avoid shorting to components.
- 2 Twist together 18 AWG green wire and shield wire. Solder wires and insulate with heatshrink tubing to avoid shorting.

