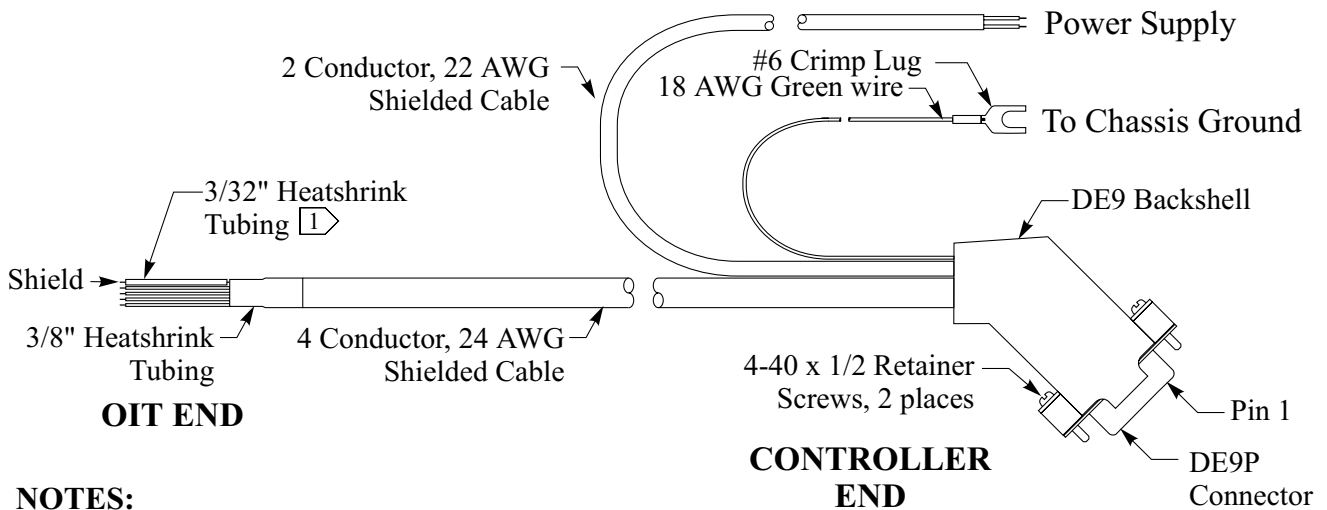




Controller Model: **Yaskawa MP Series**
 Maple OIT Model: **MAP460D, OIT3600B**
 Communication Type: **RS-232 with DE9 connector at Controller**

Use the wiring diagram and illustration to assemble a communication cable for use with a Yaskawa MP920, MP930 or MP940 controller



NOTES:

- 1 Install heatshrink on shield (bare wire) to avoid shorting to components.
- 2 Twist together 18 AWG green wire and shield wire. Solder wires and insulate with heatshrink tubing to avoid shorting.

