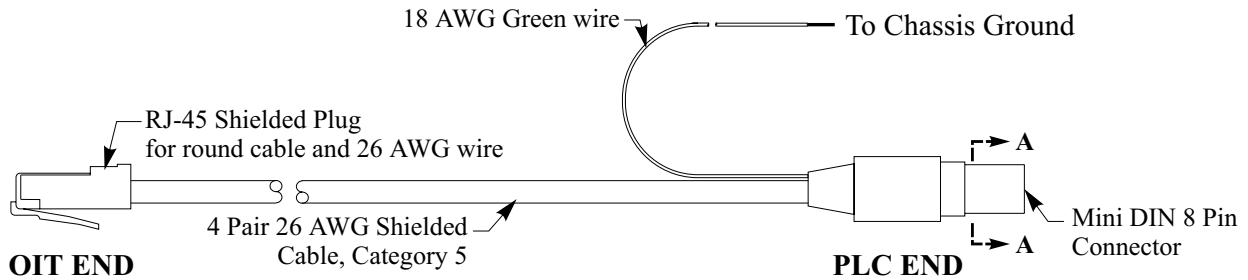




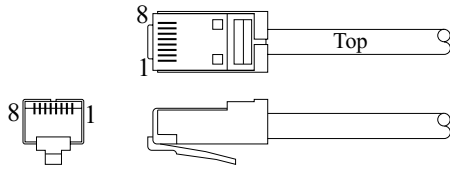
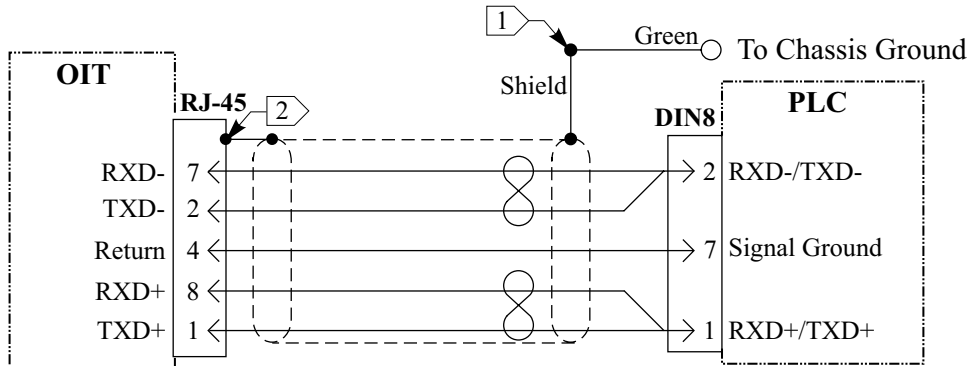
Controller Model: **Idec MICRO³**
 Maple OIT Model: **OIT3100 and OIT4100 Series**
 Communication Type: **RS-485 with Mini DIN 8 Pin connector at PLC**

Use the wiring diagram and illustration to assemble a communication cable for use with an Idec MICRO³ PLC.

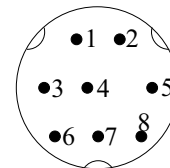


NOTES:

- 1) Twist together 18 AWG green wire and shield wire. Solder wires and insulate with heatshrink to avoid shorting.
- 2) Connect shield wire to the metal housing of the RJ-45 connector.



Pin Configuration
RJ-45 Plug



Pin Configuration
DIN8
View A-A
(Solder Side)