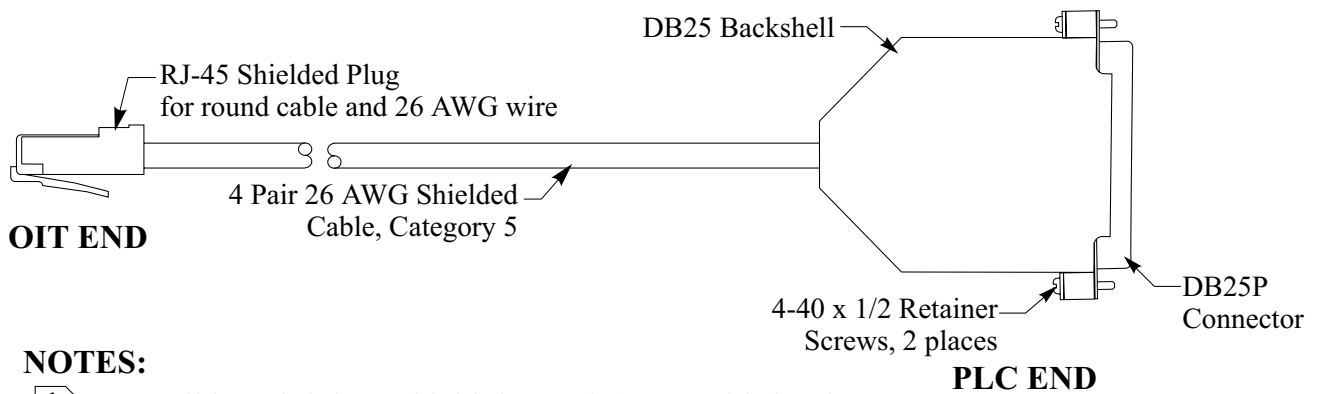




Controller Model: **GE Fanuc 90-30 CMM311 Port 1**  
 Maple OIT Model: **OIT3100 and OIT4100 Series**  
 Communication Type: **RS-232 with DB25 connector at PLC**

Use the wiring diagram and illustration to assemble a communication cable for use with a GE Fanuc 90-30 PLC (CMM311 Port 1).



**NOTES:**

- 1 Install heatshrink on shield (bare wire) to avoid shorting.
- 2 Connect shield wire to the metal housing of the RJ-45 connector.

