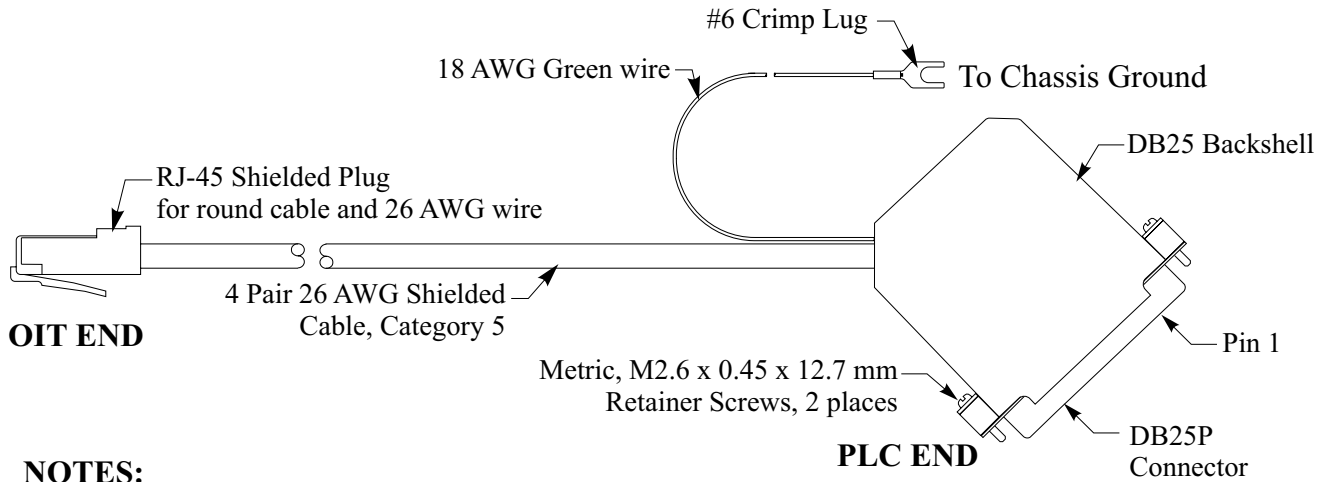




Controller Model: **Koyo DL405 Series (D4-DCM)**
 Maple OIT Model: **OIT3100 and OIT4100 Series**
 Communication Type: **RS-422 with DB25 connector at PLC**

Use the wiring diagram and illustration to assemble a communication cable for use with a Koyo DL405 PLC using the DL405 Data Communication Module (D4-DCM).



NOTES:

- 1 Twisted together 18 AWG green wire and shield wire. Solder wires and insulate with heatshrink to avoid shorting.
- 2 Connect shield wire to the metal housing of the RJ-45 connector..

