

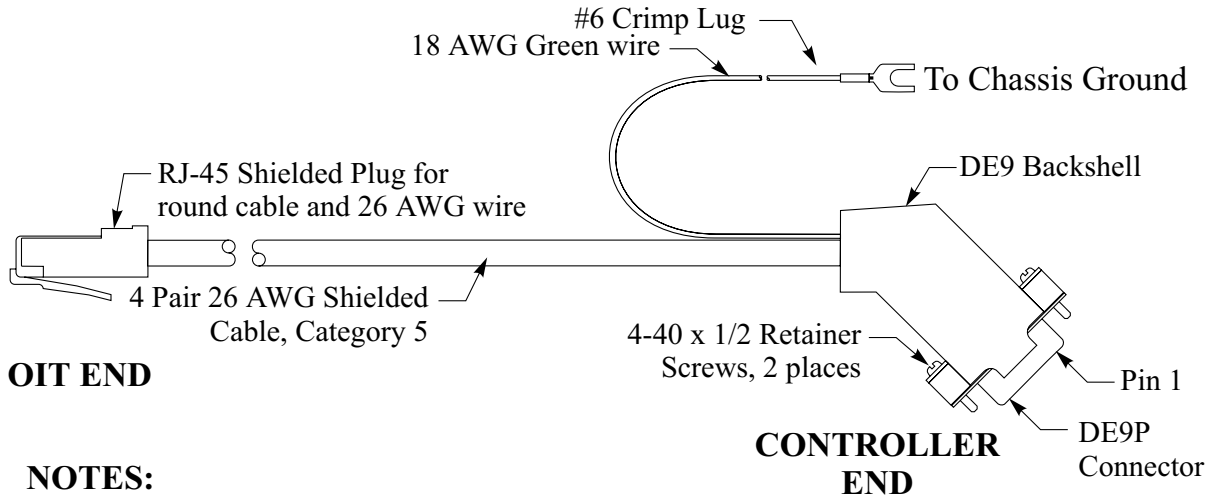


Controller Model: **International Parallel Machines IP3416**

Maple OIT Model: **OIT3100 and OIT4100 Series**

Communication Type: **RS-422 with DE9 connector at Controller**

Use the wiring diagram and illustration to assemble a communication cable for use with an International Parallel Machines IP3416 controller.

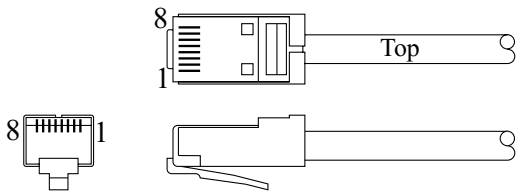
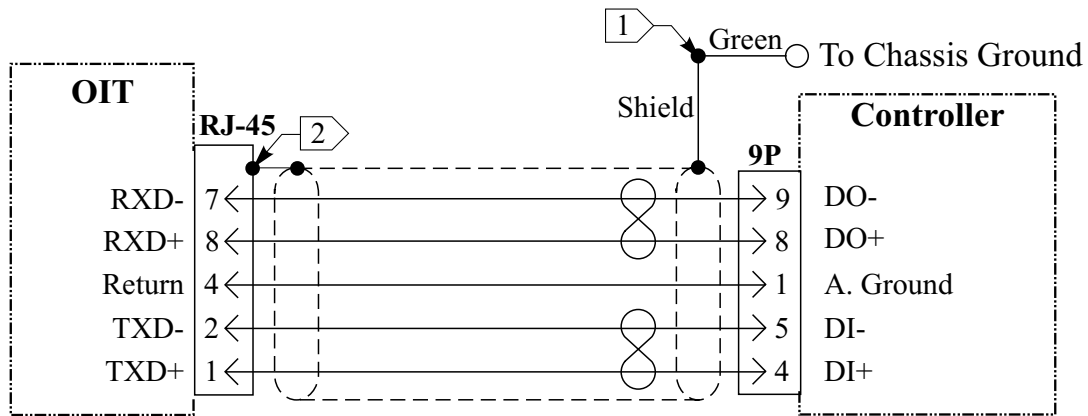


OIT END

CONTROLLER END

NOTES:

- 1 ➤ Twist together 18 AWG green wire and shield wire. Solder wires and insulate with heatshrink to avoid shorting.
- 2 ➤ Connect shield wire to the metal housing of the RJ-45 connector.



Pin Configuration
RJ-45 Plug