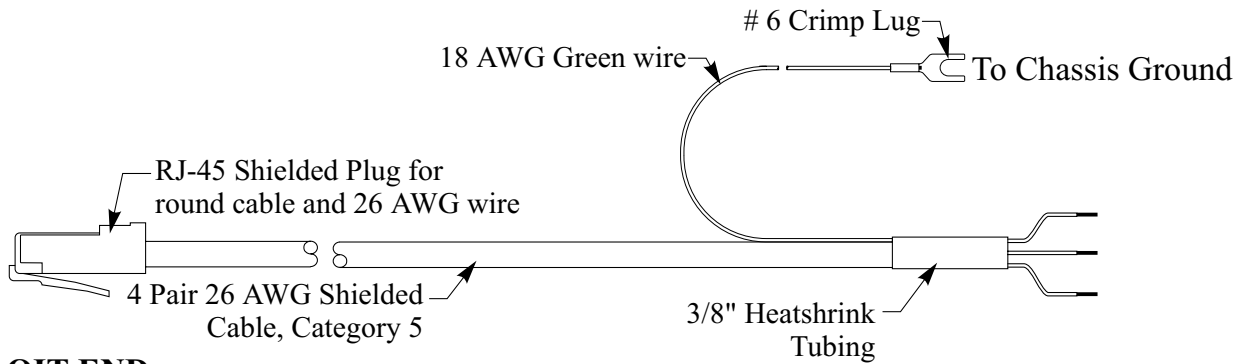




Controller Model: **Giddings & Lewis PiC Family**
 Maple OIT Model: **OIT3100 and OIT4100 Series**
 Communication Type: **RS-232 with Leads at Controller**

Use the wiring diagram and illustration to assemble a communication cable for use with a Giddings & Lewis PiC9, PiC90 or PiC900 controllers.

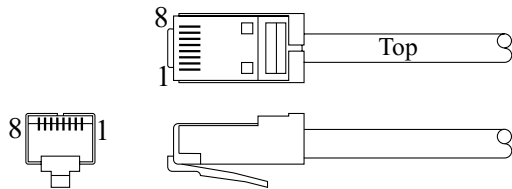
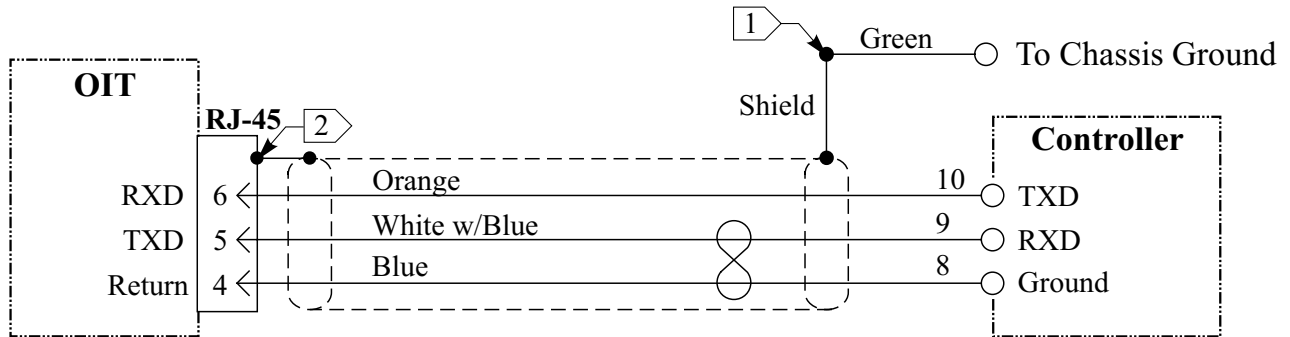


OIT END

CONTROLLER END

NOTES:

- 1 ➤ Twist together 18 AWG green wire and shield wire. Solder wires and insulate with heatshrink to avoid shorting.
- 2 ➤ Connect shield wire to the metal housing of the RJ-45 connector.



Pin Configuration
RJ-45 Plug