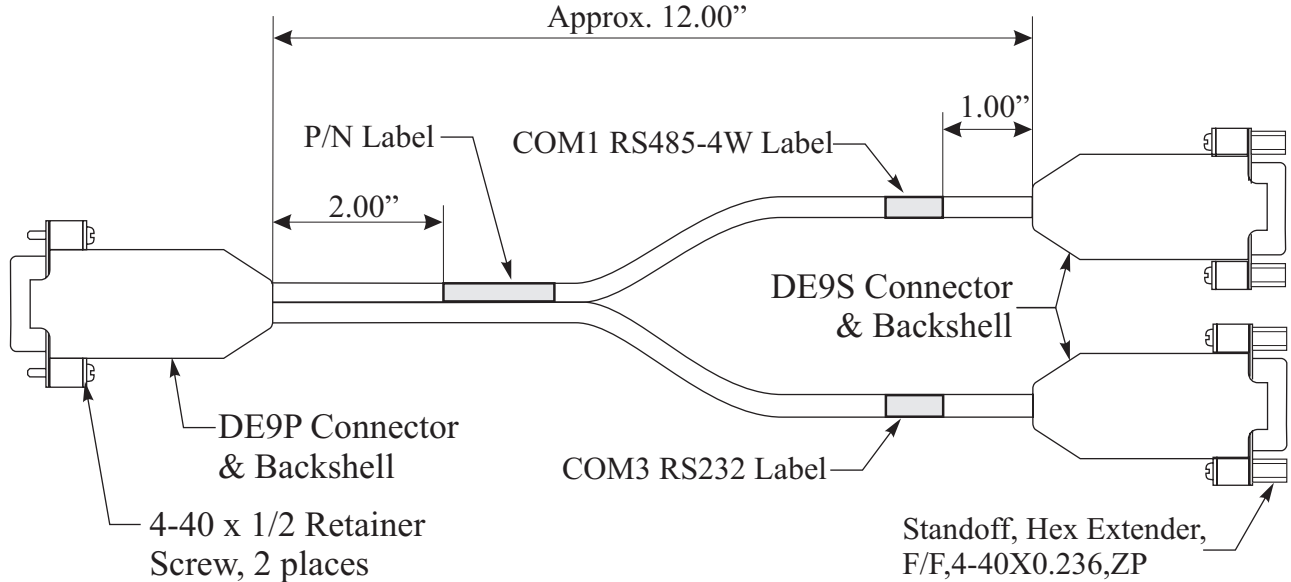




Maple OIT Model: **Silver Plus Series**  
 Communication Type: **COM1 RS485 4-wire**  
**COM3 RS232**  
**Splitter Cable**

Use the wiring diagram and illustration to assemble a splitter cable from COM1 RS485 4W and COM3 RS232 of the OIT. Can be ordered from Maple Systems, Maple P/N 7431-0113.



**OIT END**

**COM1[RS485-4W] & COM3[RS232] END**

**NOTES:**

- 1 Connect shield wire to metal shell.

