

# Maple Systems, Inc.

Http://www.maplesystems.com

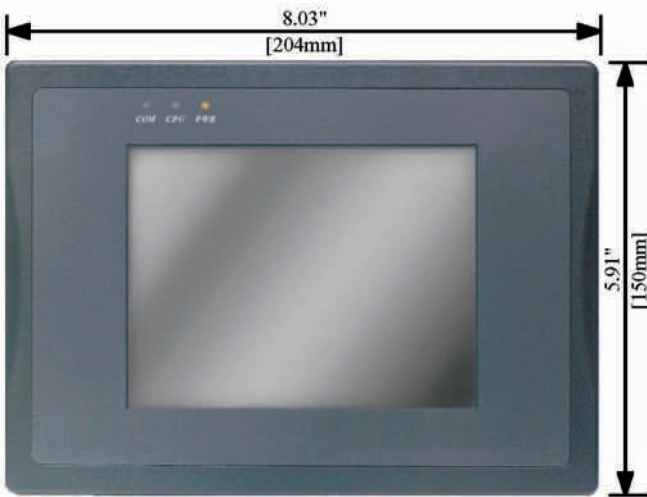
Last revised February 11, 2009

# Dimensional Outline,

# HMI5056T



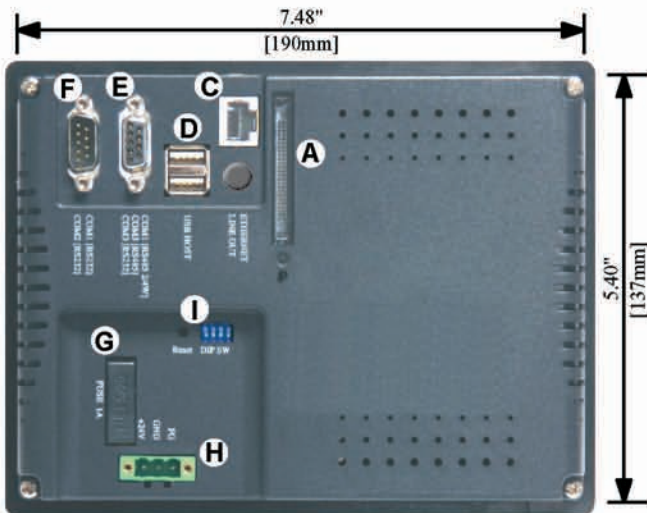
*Top View*



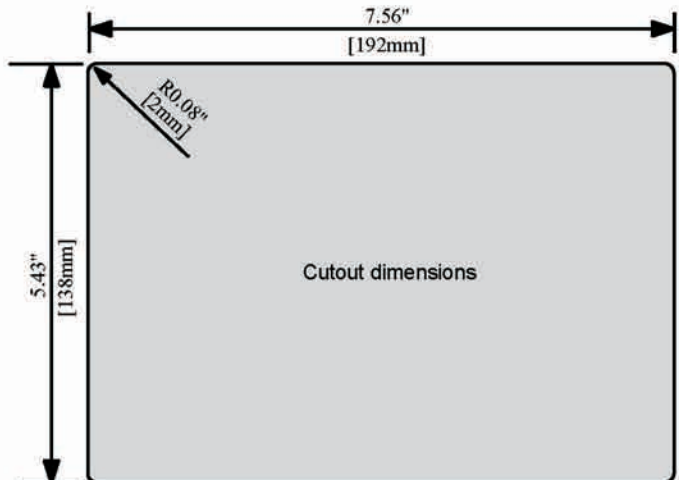
*Front View*



*Side View*



*Rear View*



Cutout dimensions



*Bottom View*

Panel-mounting clamp slots, 6 places

- |                                |   |
|--------------------------------|---|
| <b>A</b> CompactFlash™ slot    | <b>E</b> Com1 RS485, Com3 RS485, Com3 RS232 |
| <b>C</b> Ethernet port (RJ-45) | <b>F</b> Com1 RS232, Com2 RS232             |
| <b>D</b> USB host              | <b>G</b> Fuse                               |
|                                | <b>H</b> Power Connector                    |
|                                | <b>I</b> DIP SW and Reset button            |