

Maple Systems, Inc.

Http://www.maplesystems.com

Last revised February 12, 2009

Dimensional Outline, HMI5080T



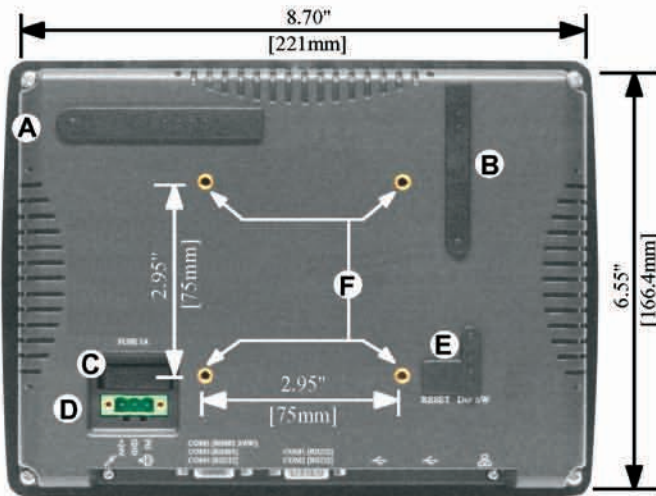
Top View



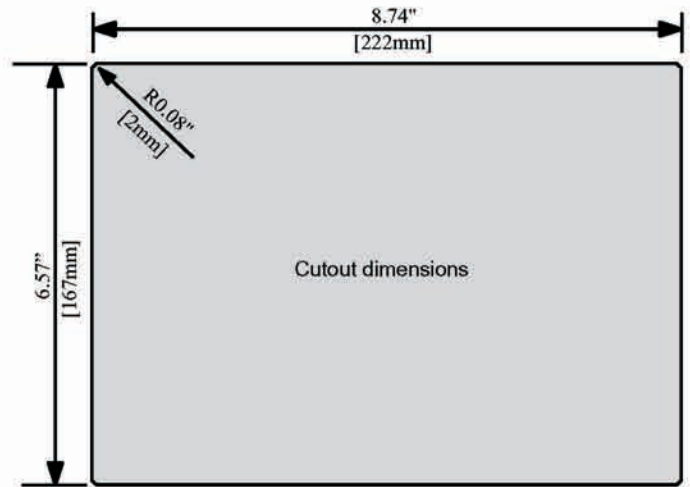
Front View



Side View



Rear View



Cutout dimensions



Bottom View

Panel-mounting clamp slots, 4 places

- A IDE interface (DOM slot)
- B CompactFlash™ slot
- C Fuse
- D Power connector

- E DIP SW and Reset button
- F VESA 75mm screw holes
- I Com1 RS485, Com3 RS485, Com3 RS232

- J Com1 RS232, Com2 RS232
- K USB Host x 3
- L Ethernet port 10/100 Base-T