

# Maple Systems, Inc.

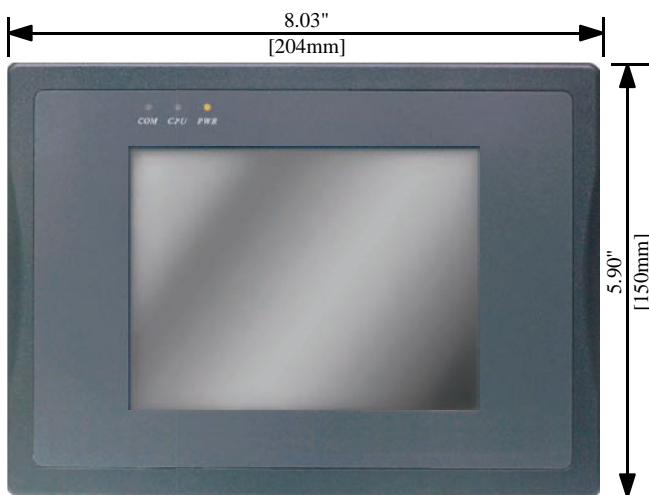
Http://www.maplesystems.com

Last revised January 19, 2009

# Dimensional Outline, HMI606T



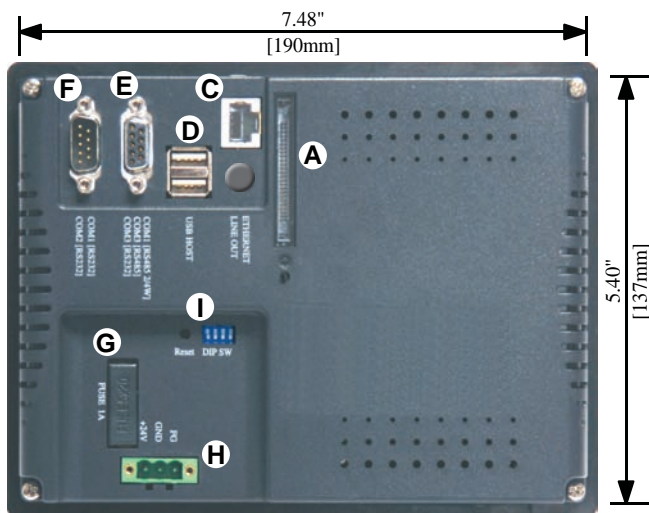
*Top View*



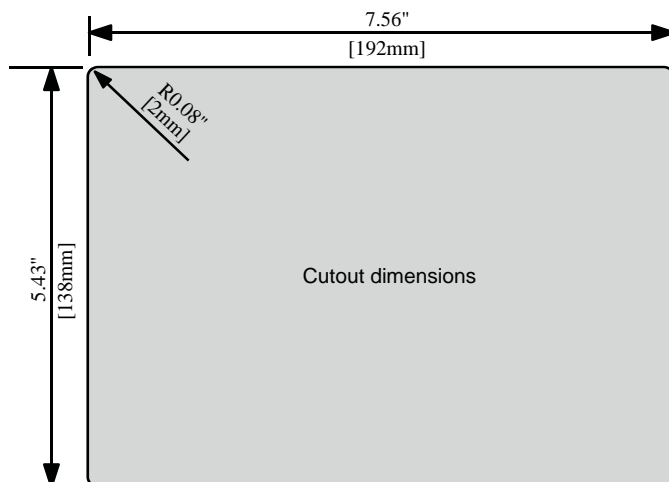
*Front View*



*Side View*



*Rear View*



Cutout dimensions



*Bottom View*

Panel-mounting clamp slots, 6 places

- A** CompactFlash™ slot
- C** Ethernet port (RJ-45)
- D** USB Host

- E** Com1 RS485, Com3 RS485, Com3 RS232
- F** Com1 RS232, Com2 RS232
- G** Fuse
- H** Power Connector
- I** DIP SW and Reset button