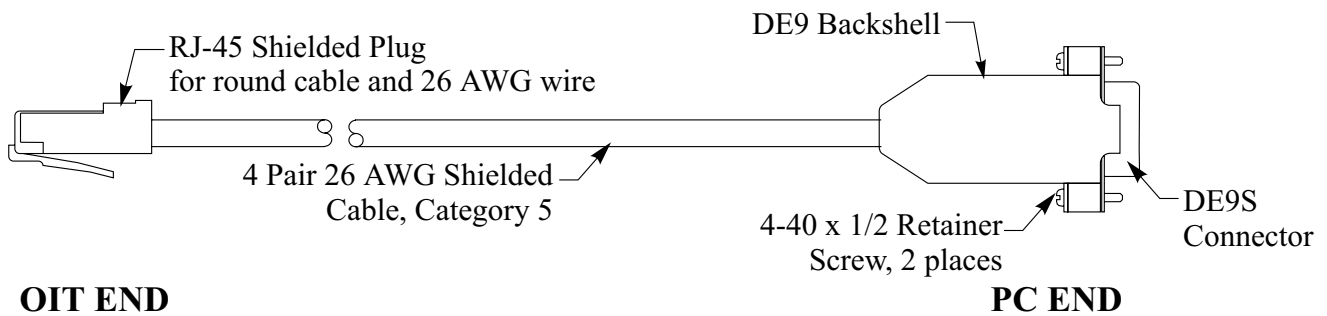




Personal Computer: **PC with DE9 connector**
 Maple OIT Model: **OIT3100 and OIT4100 Series**
 Communication Type: **RS-232 with RJ-45 connector at OIT**

Use the wiring diagram and illustration to assemble a configuration cable for use with your personal computer and the Maple Systems Operator Interface Terminal Models listed above.



NOTES:

- 1 Connect shield wire to the metal housing of the RJ-45 connector.

