

10" Widescreen Industrial HMI



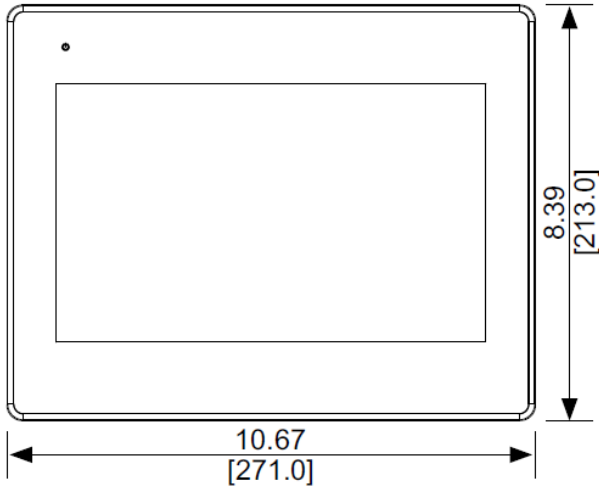
- 800 x 480 Pixel Resolution
- 600MHz RISC CPU
- Ethernet
- 2 Serial Ports

System	CPU	32-bit RISC Cortex-A8, 600 MHz
	Memory (RAM)	128 MB
	Memory (Flash)	128 MB
	RTC	Built-in
I/O Ports	Serial	1 x DE9P COM1: RS-232 1 x DE9S COM1: RS-485 2 or 4 wire, COM3: RS-485 2 wire
	Ethernet	1 x 10/100 Base-T
	CANbus	N/A
	USB Host	1 x USB 2.0
	USB Client	N/A
	Audio	N/A
	Video	N/A
	Wi-Fi	N/A
	HDMI	N/A
	SD Card Slot	N/A
Display	Display Type	10.1" TFT LCD
	Size (W x H)	8.66 x 5.24 inches [220 x 133 mm]
	Resolution (pixels)	800 x 480
	Luminance (cd/m²)	300
	Contrast Ratio	500:1
	Max. Colors	262 K
	Backlight Lifetime (hours)	30,000+
Touch Screen	Type	4-wire resistive touch
	Active Area Accuracy	Length (X) ± 2%, width (Y) ± 2%
Electrical	Input Voltage	24 ± 20% VDC
	Input Current	600 mA @ 24 VDC
	Power Isolation	Built-in
	Isolation Resistance	Exceed 50 MΩ at 500 VDC
Mechanical	Enclosure	Plastic, light grey
	PCB Coating	Yes
	Dimensions (W x H x D)	10.67 x 8.38 x 1.57 inches [271 x 213 x 40 mm]
	Weight	2.9 lbs. [1.3 kg]
	Mounting	Panel mounting
Environmental	Operating Temperature	32° ~ 122° F (0° ~ 50° C)
	Storage Temperature	-4° ~ 140° F (-20° ~ 60° C)
	Relative Humidity	10% ~ 90% (non-condensing)
	Vibration Endurance	10 to 25 Hz (X, Y, Z direction, 2 G, 30 minutes)
	Ratings	IP65 compliant front panel, NEMA 4X indoor use only
	Certifications	cULus, CE, RoHS
Software	EZwarePlus (v4.00.01 or later)	
Notes		

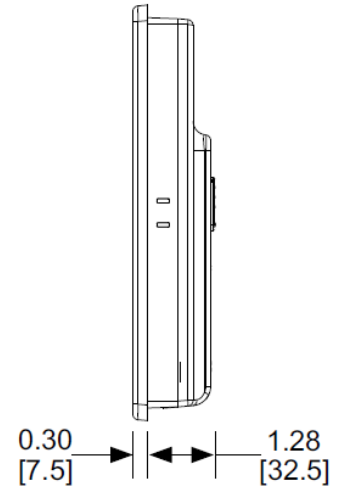
Top View



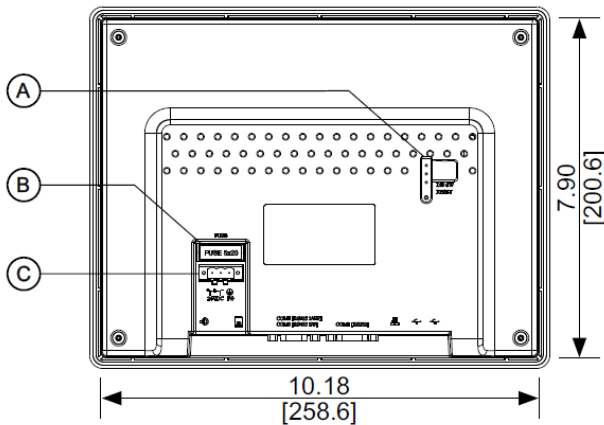
Front View



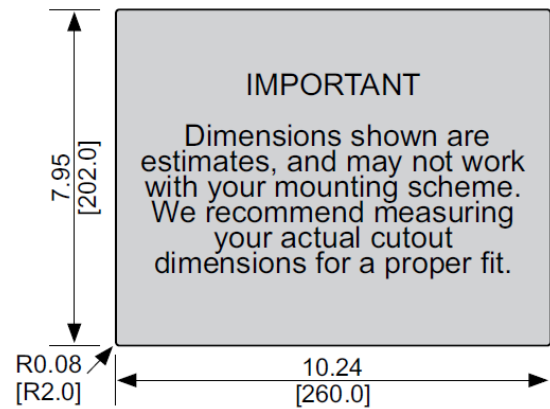
Side View



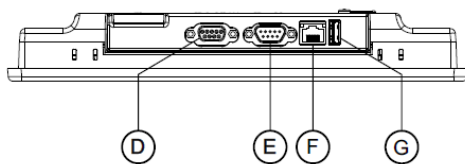
Rear View



Cutout Dimensions



Bottom View



Dimensions are in inches [mm]

- Ⓐ DIP switches
- Ⓑ Fuse
- Ⓒ Power connector
- Ⓓ COM port DE9S
- Ⓔ COM port DE9P
- Ⓕ Ethernet port
- Ⓖ USB 2.0 host port