

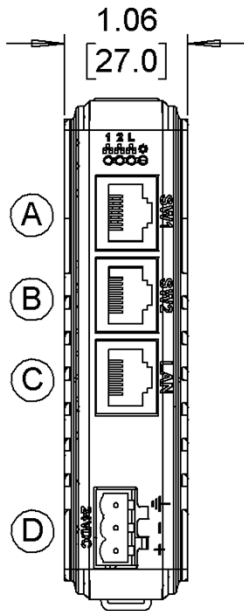


## cMT Ethernet Bridge Gateway

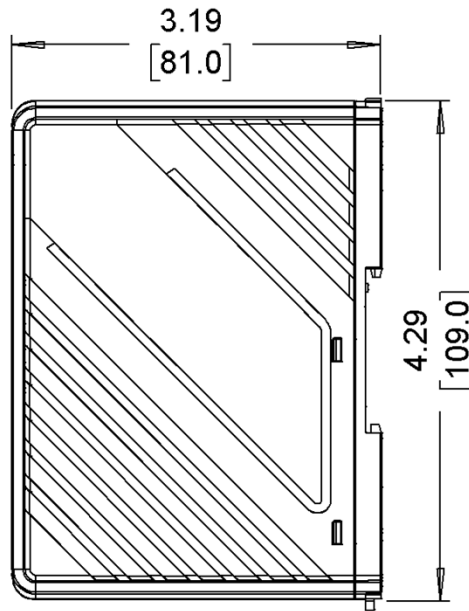


- ARM RISC 528MHz CPU
- Built-In 2-Port Ethernet Switch, 3<sup>rd</sup> port for LAN
- 256 MB Flash, 256 MB RAM Memory
- Compact Design, 35mm DIN Rail Mount
- MQTT, OPC-UA, MODBUS TCP/IP Gateway Support

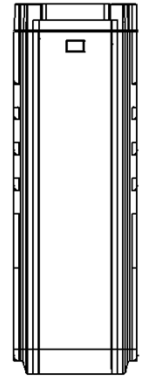
<b>System</b>	<b>CPU</b>	ARM RISC, 528 MHz
	<b>Memory (RAM)</b>	256 MB
	<b>Memory (Flash)</b>	256 MB
	<b>RTC</b>	Built-in
<b>I/O Ports</b>	<b>Serial</b>	N/A
	<b>LAN</b>	2 x 10/100 Base-T Switch Ports RJ-45; 1 x 10/100 Base-T RJ-45
	<b>CANbus</b>	N/A
	<b>USB Host</b>	N/A
	<b>USB Client</b>	N/A
	<b>Audio</b>	N/A
	<b>Video</b>	N/A
	<b>Wi-Fi</b>	N/A
	<b>HDMI®</b>	N/A
	<b>SD Card Slot</b>	N/A
<b>Electrical</b>	<b>Input Voltage</b>	+10.5 ~ 28 VDC
	<b>Input Current</b>	270 mA @ 12 VDC; 150 mA @ 24 VDC
	<b>Input Power</b>	3.6 W
	<b>Power Isolation</b>	Built-in
	<b>Isolation Resistance</b>	Exceed 50 MΩ at 500 VDC
<b>Mechanical</b>	<b>Enclosure</b>	Plastic, charcoal grey
	<b>PCB Coating</b>	Yes
	<b>Dimensions (W x H x D)</b>	4.29 x 3.19 x 1.06 inches [109 x 81 x 27 mm]
	<b>Net Weight</b>	Approx. 0.31 lbs. [0.14 kg]
<b>Environmental</b>	<b>Mounting</b>	35 mm DIN rail
	<b>Operating Temperature</b>	32° ~ 122°F (0° ~ 50°C)
	<b>Storage Temperature</b>	-4° ~ 140°F (-20° ~ 60°C)
	<b>Relative Humidity</b>	10% ~ 90% (non-condensing)
	<b>Vibration Endurance</b>	10 to 25 Hz (X, Y, Z direction, 2G, 30 minutes)
	<b>Rating</b>	IP20
<b>Software</b>	<b>Certifications</b>	cULus, CE, RoHS
		EasyBuilder Pro (v6.01.02 or later) EasyAccess 2.0 (optional)
<b>Notes</b>	Specifications subject to change without notice	



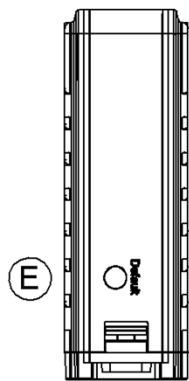
Front View



Side View



Top View



Bottom View

**Dimensions are in inches [mm]**

- A Ethernet Switch Port 1
- B Ethernet Switch Port 2
- C LAN Ethernet Port
- D Power Connector
- E Factory Default Button