

Quick Start Guide

HMC7-MIO-03



Description:

HMC7-MIO-03 I/O expansion module with 2 analog inputs (0-10V, -10 to +10V, 0-20mA, or 4-20mA) and 2 analog outputs (0-10V, 0-20mA, or 4-20mA).

Contents:

- 1 HMC7-MIO-03 (in plastic bag)
- Quick Start Guide

Programming software (MAPware-7000), cables, and power supply purchased separately.

Specifications:

Power: 3.9VDC from HMC7000 base
 Analog Inputs: 2 inputs (0-10V, -10 to +10V, 0-20mA, or 4-20mA)
 Resolution: 12 bit
 Voltage Mode:
 Input Range: -10V to +10V, 0-10V
 Value of LSB: For 0-10V: 2.44mV
 For ±10V: 4.88mV
 Input Impedance: 200KΩ
 Accuracy: At 25°C- 0.1% of full scale
 Overall Accuracy for temp range -25°C to 55°C - 0.3% of full scale
 Frequency Limit: 3.5KHz
 Behavior upon Sensor failure: Input goes to 0, as if no input is connected.
 Current Mode:
 Input Range: 4mA-20mA, 0mA-20mA
 Value of LSB: 3.906µA
 Input Impedance: 120Ω
 Accuracy: At 25°C- 0.2% of full scale
 Overall Accuracy for temp range -25°C to 55°C - 0.8% of full scale
 Analog Outputs: 2 outputs (0-10V, 0-20mA, or 4-20mA)
 Resolution: 12 bit
 Voltage Mode:
 Output Range: 0-10V
 Value of LSB: 2.44mV
 Output Load: 1000Ω minimum

Accuracy: At 25°C- 0.5% of full scale
 Overall Accuracy for temp range -25°C to 55°C - ±10ppm/°C of full scale

Current Mode:
 Output Range: 4mA-20mA
 Value of LSB: 3.906µA
 Output Load: 500Ω maximum
 Accuracy: At 25°C- 0.2% of full scale
 Overall Accuracy for temp range -25°C to 55°C - 0.8% of full scale

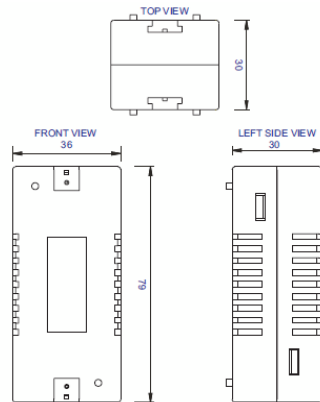
Current Mode:
 Output Range: 0mA-20mA
 Value of LSB: 4.8µA
 Output Load: 500Ω maximum
 Accuracy: At 25°C- 0.13% of full scale
 Overall Accuracy for temp range -25°C to 55°C - ±10ppm/°C of full scale

Input Power Supply

(Required):
 Input Voltage: 24VDC
 Input Current: 50mA

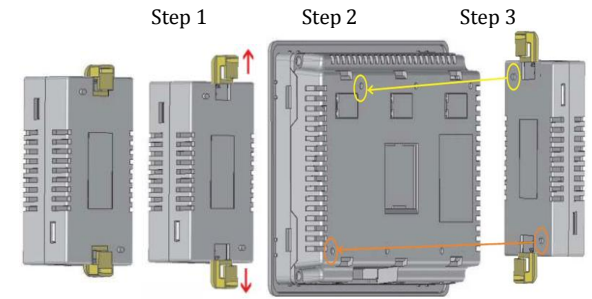
Connection Method: Removable terminals (3.81 mm pitch)
 Operating Temp: 0 to 55°C
 Humidity: 10% to 90% (non-condensing)
 Dimensions: 3.11 x 1.18 x 1.42 inches
 [79x30x36mm]

Dimensional Details:



Mounting Module to HMC7000:

The HMC7 I/O module must be mounted onto the back of a HMC7000 Series unit using one of the HMC expansion ports. When locating equipment behind the HMC7000 ensure that AC power wiring, PLC output modules, contactors, starters, relay and any other source of electrical interference are located away from the HMC7000. Make sure that variable speed drives and switching power supplies are located away from the unit.



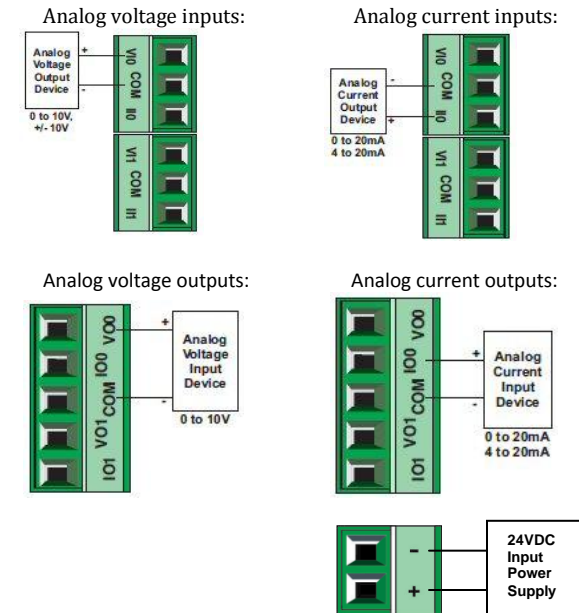
Step 1: Pull the two white lock connectors out from the center of the module.

Step 2: Place the module onto the HMC7000 expansion port so that the I/O module interconnect plug can attach to the HMC7000 socket. *Note: remove the protective tab on the HMC7000 expansion port to expose the socket.*

Step 3: Push down the lock connectors to safely secure the I/O Expansion module.

Wiring I/O Expansion Modules:

The HMC7 I/O module has green block terminals that are used to wire the module to the digital input devices (i.e. switches, contacts, etc). The block terminals can be physically removed from the module to facilitate connection (18 gauge wire recommended). *Note: A 3/32" flat blade screwdriver should be used to tighten the screws of the terminal block.*



Configuration:

Use MAPware-7000 to assign input (XW), output (YW), and configuration (MW) memory addresses to the module. These addresses are created according to the slot location of the module, where **nn** refers to the slot number:

Register	Description	Access
XWnn00	Input Channel 1 Data	Read Only
XWnn01	Input Channel 2 Data	Read Only
YWnn00	Output Channel 1 Data	Read/Write
YWnn01	Output Channel 2 Data	Read/Write
MWnn00	Input Channel 1 Configuration Register	Read/Write
MWnn01	Input Channel 2 Configuration Register	Read/Write
MWnn02	Output Channel 1 Configuration Register	Read/Write
MWnn03	Output Channel 2 Configuration Register	Read/Write

Reference the table below when configuring each Input/Output Configuration Register (MWnn00-MWnn03):

Input Channel Signal Type	Value
mA (4-20mA)	0
Voltage (0-10V)	1
Voltage (-10 to +10V)	2
mA (0-20mA)	3

Output Channel Signal Type	Value
mA (4-20mA)	0
Voltage (0-10V)	1
N/A	2
mA (0-20mA)	3

Additional Resources:

Detailed instructions on the operation and installation of the HMC7000 Series are available in the HMC7000 Programming Manual that is included with the MAPware-7000 configuration software. MAPware-7000 also includes help files that provide detailed information on using the configuration software.

⚠ WARNING: DO NOT REMOVE OR REPLACE WHILE CIRCUIT IS LIVE UNLESS THE AREA IS KNOWN TO BE FREE OF IGNITIBLE CONCENTRATIONS OF FLAMMABLE SUBSTANCES. This equipment is suitable for use in Class I, Division 2, Groups A, B, C and D or non-hazardous locations only.

⚠ WARNING – EXPLOSION HAZARD – Do not disconnect equipment unless power has been removed or the area is known to be non-hazardous.

⚠ WARNING – EXPLOSION HAZARD - Substitution of components may impair suitability for Class I, Division 2.

It is recommended that the user periodically inspect the sealed devices used, check for any degradation of properties, and replace as necessary.

For Technical Support:

Please contact Maple Systems if you have any questions regarding this product. We ask that you provide us with the unit serial number and firmware revision number written on the product label of the unit.

Maple Systems Inc.
808 134th St. SW, STE 120
Everett, WA 98204
Tel: 425-745-3229
Fax: 425-745-3429
Email: support@maplesystems.com
Website: www.maplesystems.com