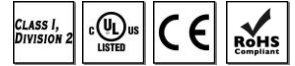




## 10.2" Touchscreen HMI + PLC



- 800 x 480 Pixel Resolution, Touchscreen
- 1 Ethernet Port, 2 Serial Ports
- Up to 5 I/O Modules
- Web Server
- MicroSD Card

<b>System</b>	<b>CPU</b>	32-bit RISC, 454 MHz
	<b>Memory</b>	128 MB for application, 45 MB for screen
<b>I/O Ports</b>	<b>Serial Ports</b>	1 x DE9S COM1: RS-232/RS-485, 2 wire or 4 wire 1 x DE9S COM2: RS-232/RS-485, 2 wire or 4 wire
	<b>Ethernet</b>	10/100 Mbps
	<b>USB Host</b>	1 x USB 2.0
	<b>USB Client</b>	1 x USB 2.0 (micro)
	<b>SD Card Reader</b>	1 x MicroSD HC
	<b>Expansion</b>	5 (for optional I/O modules)
	<b>RTC</b>	Built-in
	<b>Display</b>	<b>Display Type</b>
<b>Size (W x H)</b>		8.74" x 5.24" [222 x 133 mm]
<b>Max. Resolution (Pixels)</b>		800 x 480
<b>Contrast Ratio</b>		300:1
<b>Backlight</b>		LED
<b>Backlight Longevity</b>		20,000 hours at 25° C
<b>Touchscreen / Keypad</b>	<b>Type</b>	4 wire analog resistive
	<b>Lifespan</b>	1 million activations minimum
	<b>Resolution</b>	Continuous
<b>Electrical</b>	<b>Input Voltage</b>	24 VDC ± 15%
	<b>Input Current</b>	1.04 A @24 VDC (with 5 expansions)
<b>Mechanical</b>	<b>Enclosure</b>	Plastic molding
	<b>Ratings</b>	IP66
	<b>Mounting</b>	Panel
	<b>Dimensions (W x H x D)</b>	10.55" x 7.48" x 1.30" [268 x 190 x 33 mm]
	<b>Panel Cutout (W x H)</b>	10.08" x 7.01" [256 x 178 mm]
<b>Environmental</b>	<b>Net Weight</b>	1.98 lbs (.9 kg)
	<b>Operating Temperature</b>	32 ~ 122° F (0~50° C)
	<b>Storage Temperature</b>	-4 ~ 185° F (-20 ~ 85° C)
	<b>Relative Humidity</b>	10 ~ 95% (non-condensing)
	<b>Shock (operation)</b>	25 g acceleration for 11 ms
	<b>Certifications</b>	CE, cULus (Class I, Div 2 rated), RoHS
<b>Software</b>	MAPware-7000 (v2.34 or later)	
<b>Notes</b>	This unit is compatible with all HMC3 I/O modules. Specifications subject to change without notice.	

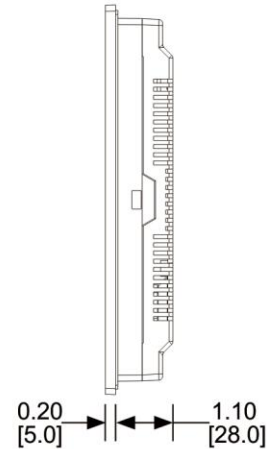
Top View



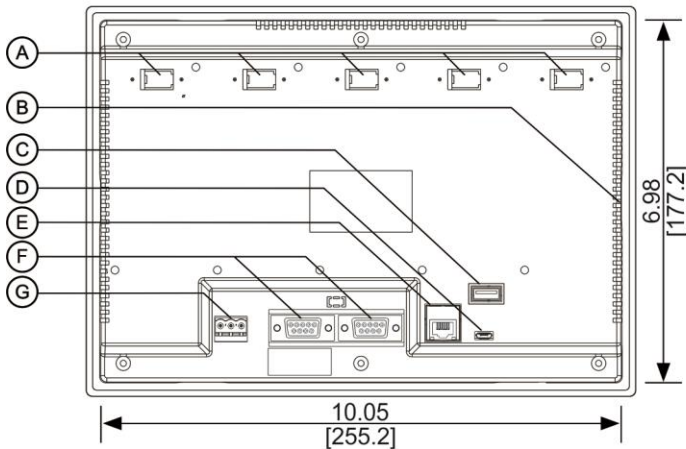
Front View



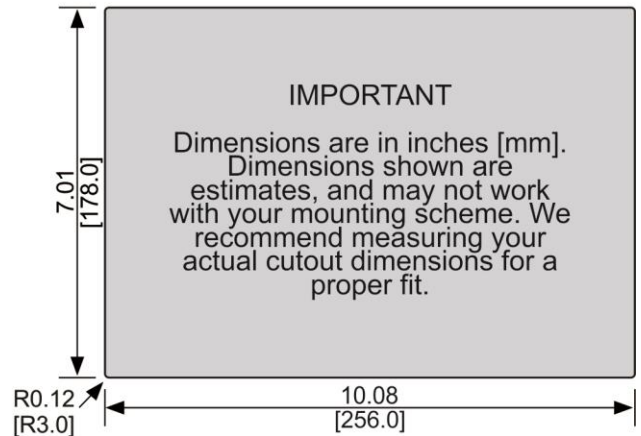
Side View



Rear View



Cutout Dimensions



Bottom View



Dimensions are in inches [mm]

- Ⓐ Expansion Ports      Ⓑ MicroSD Card Slot      Ⓒ USB 2.0 Host Port      Ⓓ USB 2.0 Client Port
- Ⓔ Ethernet Port      Ⓕ Com Ports DE9S      Ⓖ Power Connector