



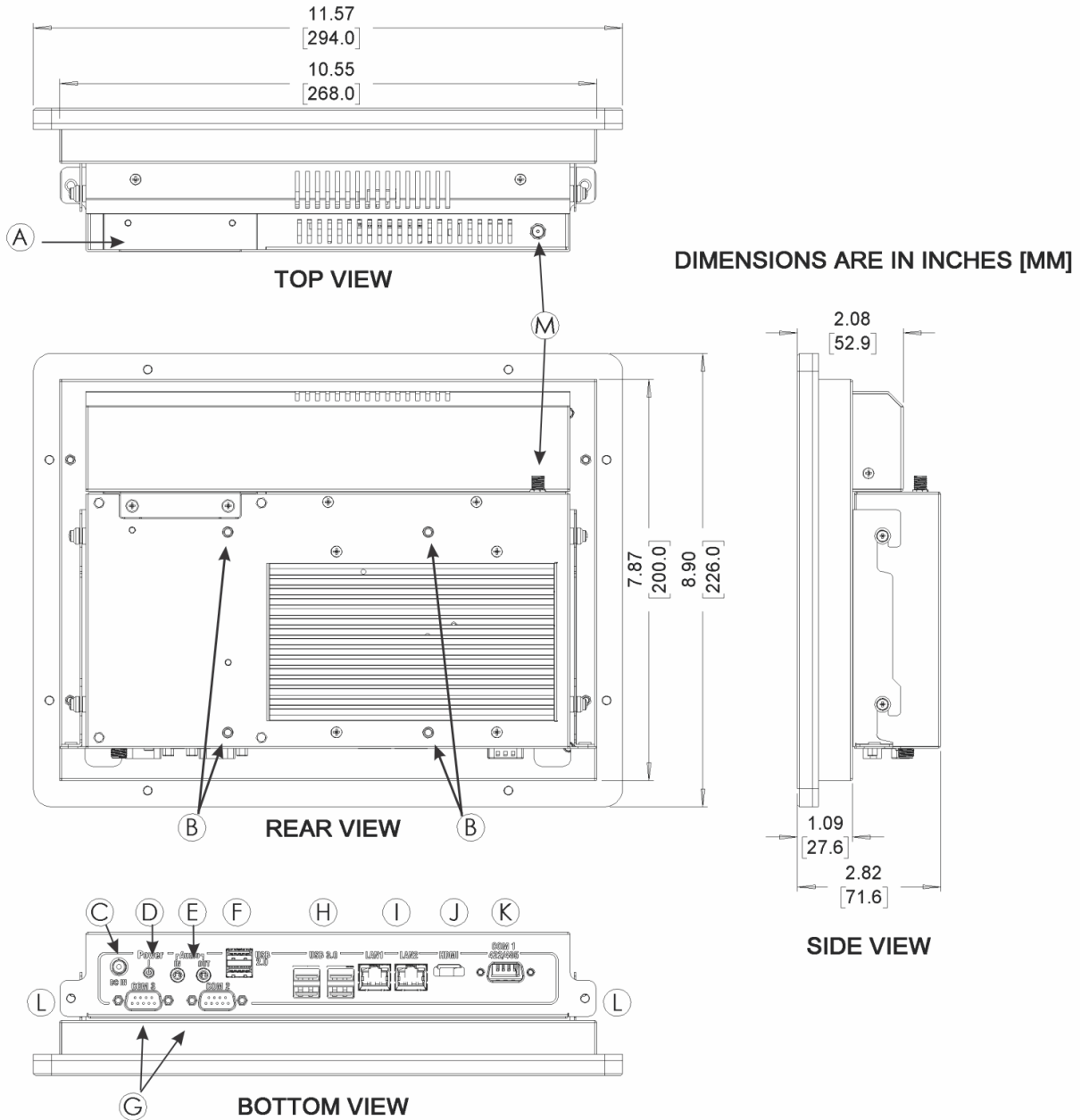
Industrial Panel PC



- Intel® Pentium™ Apollo Lake™ N4200 Quad-Core™ 1.1GHZ CPU
- Up to 8GB DDR3-L RAM
- Available 10.4" – 21.5" Display Sizes
- Projected Capacitive Touch Screen
- 2 Gigabit Ethernet Ports, 3 Serial Ports, 6 USB Ports

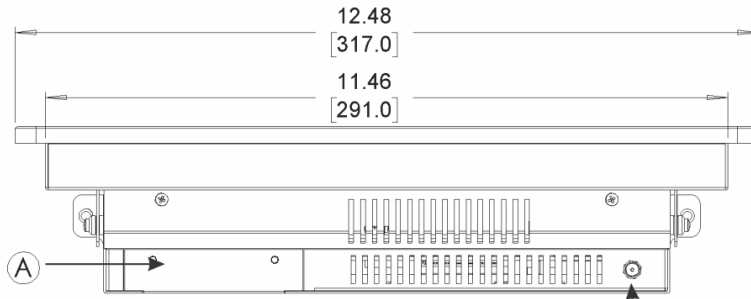
System	CPU	Intel® Pentium™ Apollo Lake™ N4200 Quad-Core™ 1.1GHZ CPU			
	System Memory Options	1 x DDR3-L 204-pin SO-DIMM RAM (4, 8 GB)			
I/O Ports	USB	2 x USB 2.0 type A 4 x USB 3.0 type A			
	Serial	1 x RS-232/422/485 DE-9P, COM1 (default RS-232) 2 x RS-232 DE-9P, COM2/COM3			
	Audio	1 x 3.5 mm Line-out			
	LAN	2 x GbE RJ-45			
	Power	DC power input jack, thumbscrew secured.			
	Power Switch	1 x Momentary Pushbutton with Integrated LED			
	External Display Connector	1 x HDMI® 1.4a			
Storage	Solid State Drive Options*	1 x 2.5" SATA 2, MLC (32, 64, 128, 256, 512 GB SSD)			
	SD Card Slot	N/A			
Expansion	Expansion Slot	Optional Wi-Fi kit (Wi-Fi card and antenna)			
Touch Screen	Type	Projected Capacitive Touch			
	Interface	USB			
Display	Display Type	10.4" TFT X VGA LCD	12.1" TFT X VGA LCD	15" TFT X VGA LCD	21.5" TFT X VGA LCD
	Max. Resolution	1024 x 768	1024 x 768	1024 x 768	1920 x 1080
	Max. Color	16.2 M	16.2 M	16.2 M	16.2 M
	Luminance (cd/m²)	350	450	300	250
	View Angle (H°/V°)	170/170	170/170	170/160	170/160
	Contrast Ratio	1000:1	1500:1	2000:1	1000:1
	Backlight Lifetime (hours)	50,000+	50,000+	50,000+	50,000+
Electrical	Input Voltage	12~24 VDC	12~24 VDC	12~24 VDC	12~24 VDC
	Input Current	0.88~1.75 A	0.94~1.89 A	1.0~2.0 A	1.46~2.92 A
	Input Power	21 W	22.5 W	24 W	35 W
Mechanical	Dimension (W x H x D)	11.57 x 8.90 x 2.82" [294 x 226 x 71.6 mm]	12.48 x 9.65 x 2.82" [317 x 245 x 71.6 mm]	13.97 x 11.40 x 2.82" [354.9 x 289.5 x 71.6 mm]	20.63 x 13.00 x 2.82" [524 x 330.2 x 71.6 mm]
	Net Weight	8.38 lbs [3.8 kg]	9.04 lbs [4.1 kg]	11.1 lbs [5.03 kg]	15.65 lbs [7.1 kg]
	Panel Cutout Dimensions (W x H)	10.63 x 7.95" [270 x 202 mm]	11.54 x 8.70" [293 x 221 mm]	13.03 x 10.47" [331 x 266 mm]	19.69 x 12.09" [500 x 307 mm]
	Mounting	Panel mounting, VESA 100 x 100			
	Construction	Black Steel Chassis, Aluminum Heatsink			
	Rating	IP65 front panel / NEMA4			
Environmental	Operating Temperature	32~140°F [0~60°C]			
	Storage Temperature	-22~175°F [-30~80°C]			
	Storage Humidity	10 to 90% @ 40°C, non-condensing			
	Certifications	CE / FCC Class B / RoHS			
Operating System	Microsoft Windows Options	Microsoft Windows® 10 IoT Enterprise Embedded 2019 LTSC 64-bit (EPKEA) Microsoft Windows® 10 IoT Enterprise 2019 LTSC 64-bit (PKEA)			
Notes	Specifications subject to change without notice.				
	* Additional SSD options available; contact Maple Systems for details				

PC1210A

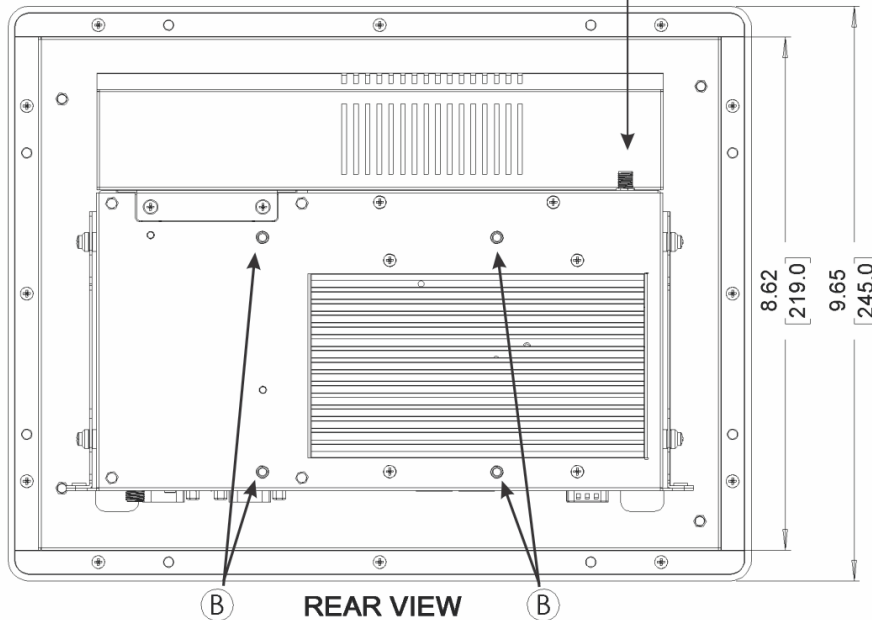


- | | |
|--|---|
| A Solid State Drive Bay | H USB 3.0 Host Ports |
| B VESA 100 x 100 mounting | I Gigabit Ethernet Ports |
| C DC Input Power Connector | J HDMI® Output |
| D Illuminated Power Button | K COM Port DE9P (RS232/RS422/RS485 Configurable) |
| E 3.5mm Audio Ports (Mic-In / Line Out) | L Thumb-Screw Mounting |
| F USB 2.0 Host Ports | M Wi-Fi Antenna Connector
(Nonfunctional unless Wi-Fi Option Purchased) |
| G COM Ports DE9P (RS232) | |

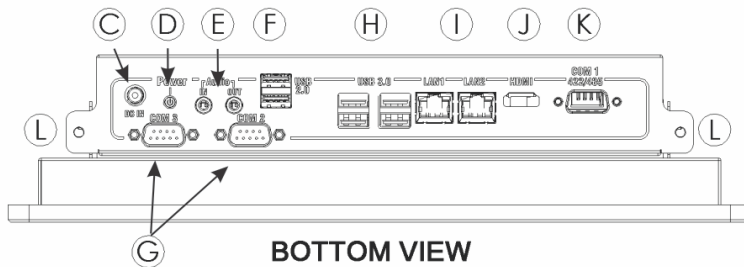
PC1212A



TOP VIEW

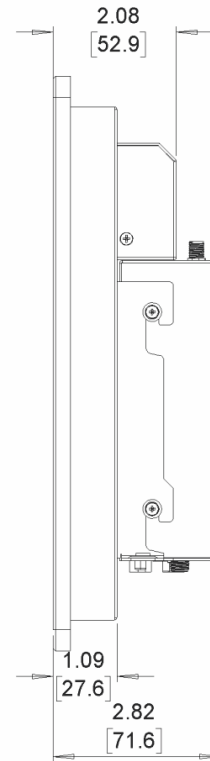


REAR VIEW



BOTTOM VIEW

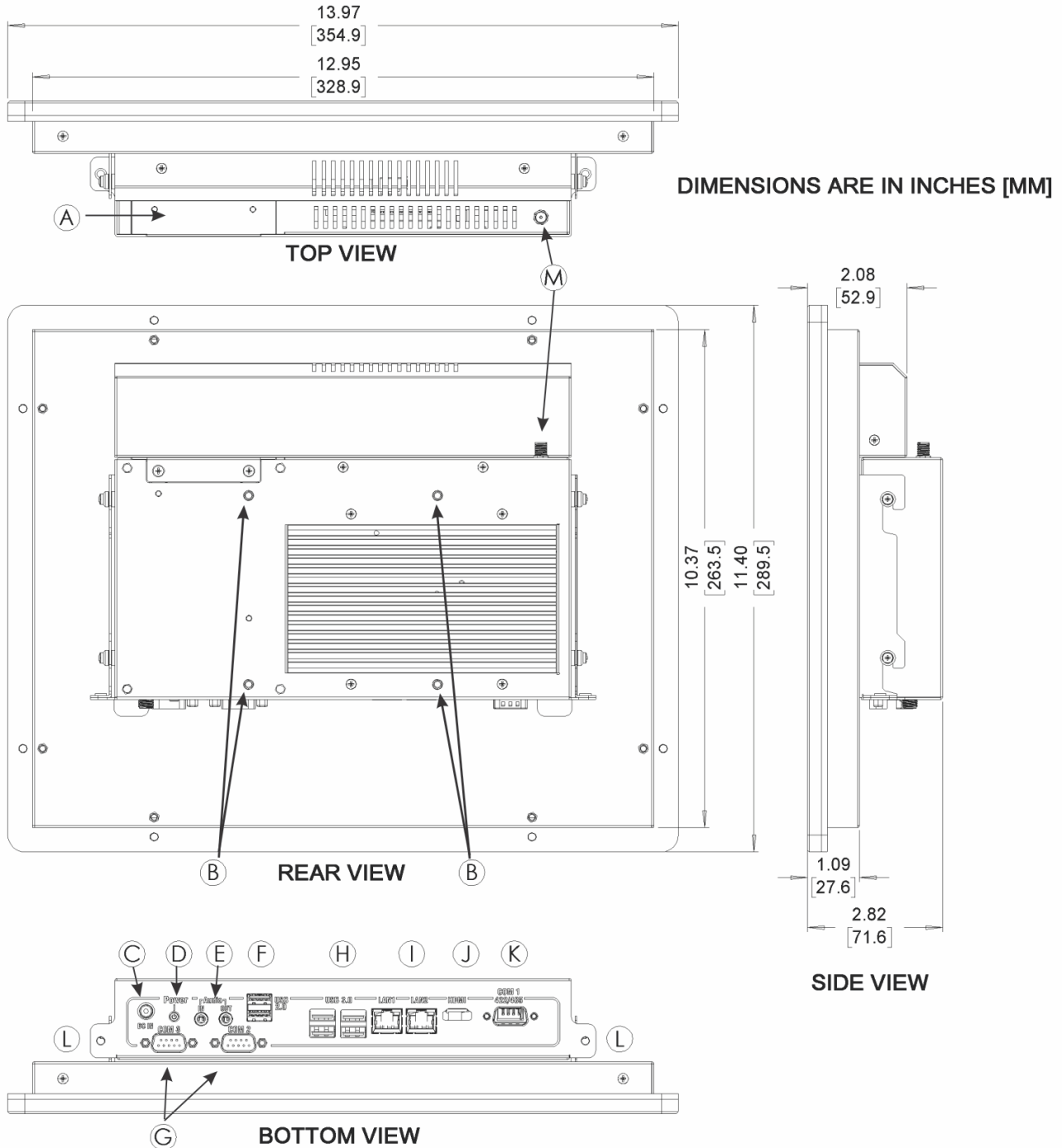
DIMENSIONS ARE IN INCHES [MM]



SIDE VIEW

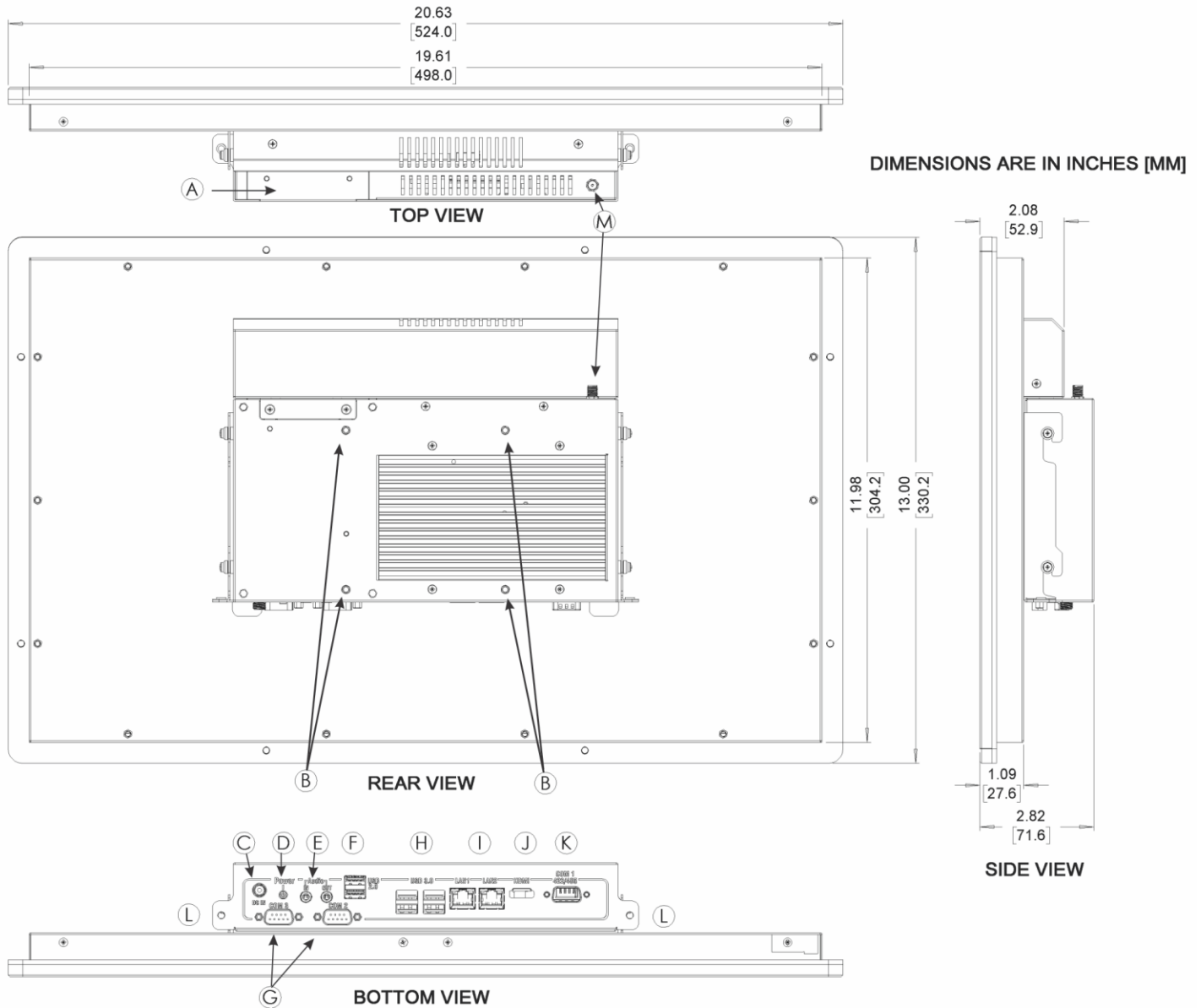
- | | |
|--|---|
| A Solid State Drive Bay | H USB 3.0 Host Ports |
| B VESA 100 x 100 mounting | I Gigabit Ethernet Ports |
| C DC Input Power Connector | J HDMI® Output |
| D Illuminated Power Button | K COM Port DE9P (RS232/RS422/RS485 Configurable) |
| E 3.5mm Audio Ports (Mic-In / Line Out) | L Thumb-Screw Mounting |
| F USB 2.0 Host Ports | M Wi-Fi Antenna Connector |
| G COM Ports DE9P (RS232) | (Nonfunctional unless Wi-Fi Option Purchased) |

PC1215A



- | | |
|--|---|
| A Solid State Drive Bay | H USB 3.0 Host Ports |
| B VESA 100 x 100 mounting | I Gigabit Ethernet Ports |
| C DC Input Power Connector | J HDMI® Output |
| D Illuminated Power Button | K COM Port DE9P (RS232/RS422/RS485 Configurable) |
| E 3.5mm Audio Ports (Mic-In / Line Out) | L Thumb-Screw Mounting |
| F USB 2.0 Host Ports | M Wi-Fi Antenna Connector
(Nonfunctional unless Wi-Fi Option Purchased) |
| G COM Ports DE9P (RS232) | |

PC1221A



- | | |
|--|---|
| A Solid State Drive Bay | H USB 3.0 Host Ports |
| B VESA 100 x 100 mounting | I Gigabit Ethernet Ports |
| C DC Input Power Connector | J HDMI® Output |
| D Illuminated Power Button | K COM Port DE9P (RS232/RS422/RS485 Configurable) |
| E 3.5mm Audio Ports (Mic-In / Line Out) | L Thumb-Screw Mounting |
| F USB 2.0 Host Ports | M Wi-Fi Antenna Connector
(Nonfunctional unless Wi-Fi Option Purchased) |
| G COM Ports DE9P (RS232) | |