



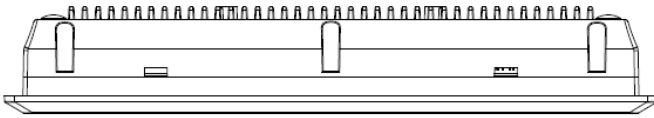
12" Compact Open HMI



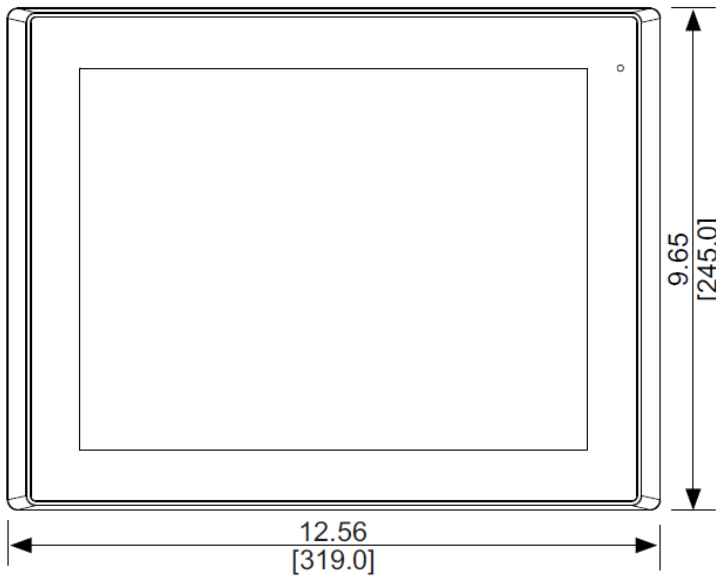
- 800 x 600 Pixel High-Resolution TFT
- Intel Atom Cedar View N2600 1.6 GHz Dual Core Processor
- Onboard DDR3 2 GB 800 MHz
- 2 Ethernet Ports, 2 Serial Ports, 2 USB Ports

System	CPU	Intel Atom Cedar View N2600 1.6 GHz Dual Core processor	
	System Chipset	Intel NM10	
	System Memory	Onboard DDR3 2 GB 800 MHz	
I/O Ports	USB	USB 2.0 type A x 2	
	Serial	COM1: RS-232/422/485 DE-9P (default RS-232) COM2: RS-232 DE-9P	
	Audio	1 x 3.5 mm line out	
	LAN	GbE RJ-45 x 2	
	Power	3 pins terminal block connector, DC power input	
	Storage Space	Solid State Drive Options	1 x 2.5" SATA 2, MLC (32, 64, 128, 256 GB SSD)
		SD Card Slot	1 x internal secure digital memory card socket, up to 32 GB
Expansion	Expansion Slot	N/A	
Display	Display Type	12.1" TFT-LCD	
	Max. Resolution	800 x 600	
	Max. Color	16.2M	
	Luminance (cd/m²)	330	
	View Angle (H°/V°)	160/140	
	Contrast Ratio	800:1	
	Backlight Lifetime (hours)	50,000+	
Touch Screen	Type	Resistive touch	
	Interface	RS-232	
	Light Transmission	80%	
Electrical	Input Voltage	9~36 VDC	
	Input Current	0.5 ~ 2 A	
	Input Power	19.2 W	
Mechanical	Construction	Silver aluminum front bezel and chassis	
	Rating	IP65 front panel / NEMA4X	
	Mounting	Panel mounting, VESA 100 x 100	
	Dimension	12.56 x 9.65 x 2.03 inches [319 x 245 x 51.7 mm]	
	Net Weight	5.7 lbs [2.6 kg]	
Environmental	Operating Temperature	32~122°F [0~50°C]	
	Storage Temperature	-4~140°F [-20~60°C]	
	Storage Humidity	10 to 90% @ 40°C, non-condensing	
	Certification	CE / FCC Class A / cULus / RoHS	
Operating System	Type	Base Model: Microsoft Windows® Embedded Standard 7 32-bit (WS7P) Upgrade Option: Microsoft Windows® 7 Pro for Embedded 32-bit (FES 7 Pro)	
Notes	Specifications subject to change without notice.		

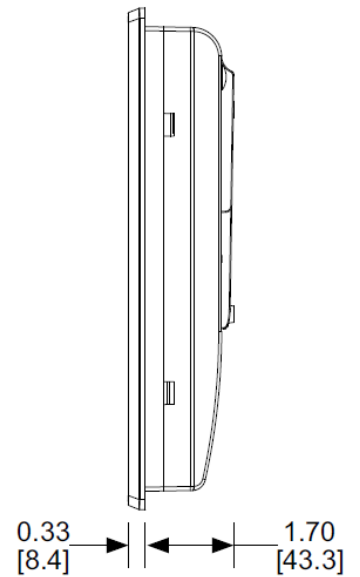
Top View



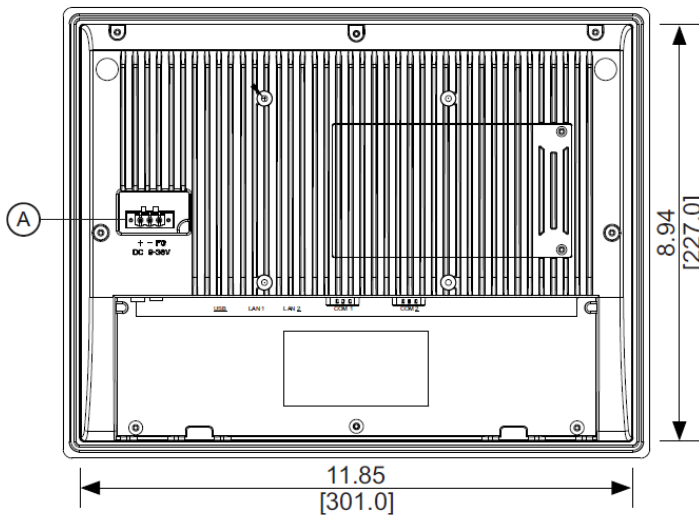
Front View



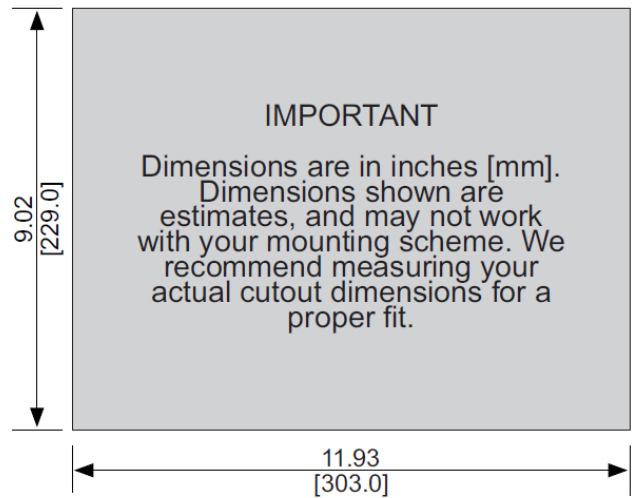
Side View



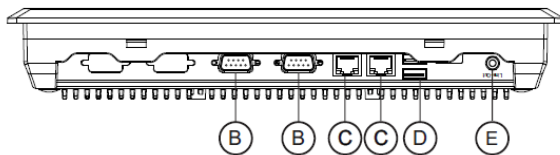
Rear View



Cutout Dimensions



Bottom View



Dimensions are in inches [mm]

- (A) Power Connector
- (B) Com Port DE9P
- (C) Ethernet Port
- (D) USB 2.0 Ports
- (E) Line out