



# OMI6800B Series



## 7.0" ~ 21.5" Fanless Panel PC With Intel® Pentium® N4200 Processor

- 118% Increased CPU Performance\*
- Microsoft Windows® 10 IoT 2019 OS
- Robust Compact Design
- IP66 Rated Aluminum Enclosure
- Panel or VESA mountable

<b>System</b>	<b>CPU</b>	Intel® Pentium™ Apollo Lake™ N4200 Quad-Core 1.1GHz Processor			
	<b>System Chipset</b>	SoC			
	<b>System Memory</b>	Onboard DDR3L 4 GB 1600 MHz			
<b>I/O Ports</b>	<b>USB</b>	2 x USB 3.0 type A			
	<b>Serial</b>	1 x RS-232/422/485 DE-9P, COM1 (default RS-232) 1 x RS-232 DE-9P, COM2			
	<b>Audio</b>	1 x 3.5 mm line out			
	<b>LAN</b>	2 x GbE RJ-45			
	<b>Power</b>	3-pin connector header, DC power input			
	<b>Remote Power Switch</b>	2-pin connector header			
	<b>Expansion</b>	<b>Expansion Slot</b>	Optional Wi-Fi kit (Wi-Fi card and antenna)		
<b>Touch Screen</b>	<b>Type</b>	5-wire resistive touch			
	<b>Interface</b>	USB			
	<b>Light Transmission</b>	80+%			
<b>Display</b>	<b>Display Type</b>	<b>7.0" WVGA TFT LCD</b>	<b>8.0" SVGA TFT LCD</b>	<b>10.1" WXGA TFT LCD</b>	<b>12.1" SVGA TFT LCD</b>
	<b>Max. Resolution</b>	800 x 480	800 x 600	1280 x 800	800 x 600
	<b>Max. Color</b>	262K	16.2M	16.7M	262K
	<b>Luminance (cd/m²)</b>	350	350	350	450
	<b>View Angle (H°/V°)</b>	140/120	140/120	170/170	178/178
	<b>Contrast Ratio</b>	400:1	500:1	800:1	1500:1
	<b>Backlight Lifetime (hours)</b>	30,000+	40,000+	25,000+	50,000+
<b>Storage</b>	<b>Solid State Drive Type</b>	1 x 1.8" SATA II, MLC		1 x 2.5" SATA III, MLC	
	<b>Solid State Drive Capacity Options**</b>	64, 128 GB SSD		64, 128, 256, 512 GB SSD	
	<b>SD Card Slot</b>	1 x internal micro Secure Digital memory card socket, up to 32 GB			
<b>Electrical</b>	<b>Input Voltage</b>	9-36 VDC	9-36 VDC	9-36 VDC	9-36 VDC
	<b>Input Current</b>	0.75-3.0 A	0.78-3.11 A	0.81-3.22 A	0.92-3.67 A
	<b>Input Power (max.)</b>	27 W	28 W	29 W	33 W
<b>Mechanical</b>	<b>Dimensions (W x H x D)</b>	7.95 x 5.87 x 1.54" [202 x 149 x 39 mm]	9.09 x 6.93 x 1.97" [231 x 176 x 50 mm]	11.22 x 7.44 x 1.93" [285 x 189 x 48.9 mm]	12.56 x 9.65 x 2.03" [319 x 245 x 51.7 mm]
	<b>Net Weight</b>	~ 2.52 lbs [1.14 kg]	~ 4.19 lbs [1.9 kg]	~ 4.19 lbs [1.9 kg]	~ 6.2 lbs [2.8 kg]
	<b>Panel Cutout Dimensions (W x H)</b>	7.56 x 5.43" [192 x 138 mm]	8.74 x 6.57" [222 x 167 mm]	10.71 x 6.93" [272 x 176 mm]	11.93 x 9.02" [303 x 229 mm]
	<b>Mounting</b>	Panel mounting, VESA 75 x 75 mm	Panel mounting, VESA 75 x 75 mm	Panel mounting, VESA 100 x 100 mm	Panel mounting, VESA 100 x 100 mm
	<b>Construction</b>	Silver aluminum front bezel and chassis			
<b>Environmental</b>	<b>Operating Temperature</b>	32~122°F [0~50°C]			
	<b>Storage Temperature</b>	-22~158°F [-30~70°C]			
	<b>Relative Humidity</b>	10 to 90% @ 40°C, non-condensing			
	<b>Rating</b>	IP66 / NEMA 4 when panel mounted			
	<b>Certification</b>	CE / FCC Class A / RoHS			
<b>Operating System</b>	<b>Microsoft Windows Options</b>	Microsoft Windows® 10 IoT Enterprise Embedded 2019 LTSC 64-bit (EPKEA) Microsoft Windows® 10 IoT Enterprise 2019 LTSC 64-bit (PKEA)			
<b>Notes</b>	<p>* CPU PassMark Benchmark comparison with OMI6800A Series (Intel® Celeron™ N2930 CPU)</p> <p>** Additional SSD options available; contact Maple Systems for details.</p> <p>Specifications subject to change without notice.</p>				



# OMI6800B Series



## 7.0" ~ 21.5" Fanless Panel PC With Intel® Pentium® N4200 Processor

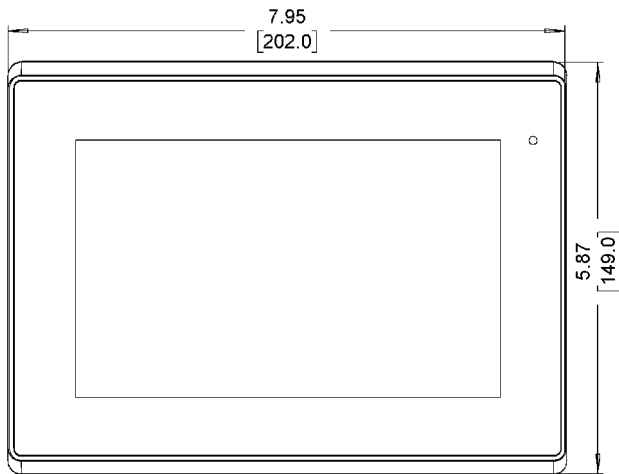
- 118% Increased CPU Performance\*
- Microsoft Windows® 10 IoT 2019 OS
- Robust Compact Design
- IP66 Rated Aluminum Enclosure
- Panel or VESA mountable

<b>System</b>	<b>CPU</b>	Intel® Pentium™ Apollo Lake™ N4200 Quad-Core 1.1GHz Processor			
	<b>System Chipset</b>	SoC			
	<b>System Memory</b>	Onboard DDR3L 4 GB 1600 MHz			
<b>I/O Ports</b>	<b>USB</b>	2 x USB 3.0 type A			
	<b>Serial</b>	1 x RS-232/422/485 DE9P, COM1 (default RS-232) 1 x RS-232 DE9P, COM2			
	<b>Audio</b>	1 x 3.5 mm line out			
	<b>LAN</b>	2 x GbE RJ-45			
	<b>Power</b>	3-pin connector header, DC power input			
	<b>Remote Power Switch</b>	2-pin connector header			
	<b>Expansion</b>	<b>Expansion Slot</b>	Optional Wi-Fi kit (Wi-Fi card and antenna)		
<b>Touch Screen</b>	<b>Type</b>	5-wire resistive touch			
	<b>Interface</b>	USB			
	<b>Light Transmission</b>	80+%			
<b>Display</b>	<b>Display Type</b>	<b>15.0" XGA TFT LCD</b>	<b>15.6" WXGA TFT LCD</b>	<b>18.5" WXGA TFT LCD</b>	<b>21.5" FHD TFT LCD</b>
	<b>Max. Resolution</b>	1024 x 768	1366 x 768	1366 x 768	<b>1920 x 1080</b>
	<b>Max. Color</b>	16.2M	16.7M	16.7M	16.7M
	<b>Luminance (cd/m<sup>2</sup>)</b>	300	300	300	250
	<b>View Angle (H°/V°)</b>	176/176	160/160	170/160	178/178
	<b>Contrast Ratio</b>	2000:1	500:1	1000:1	3000:1
	<b>Backlight Lifetime (hours)</b>	70,000+	50,000+	50,000+	30,000+
<b>Storage</b>	<b>Solid State Drive Type</b>	1 x 2.5" SATA III, MLC			
	<b>Solid State Drive Capacity Options*</b>	64, 128, 256, 512 GB SSD			
	<b>SD Card Slot</b>	1 x internal micro Secure Digital memory card socket, up to 32 GB			
<b>Electrical</b>	<b>Input Voltage</b>	9-36 VDC	9-36 VDC	9-36 VDC	9-36 VDC
	<b>Input Current</b>	0.86-3.44 A	0.92-3.67 A	1.19-4.78 A	1.19-4.78 A
	<b>Input Power (max.)</b>	31 W	33 W	43 W	43 W
	<b>Dimensions (W x H x D)</b>	16.14 x 12.20 x 2.15" [410 x 310 x 54.67 mm]	16.23 x 10.93 x 2.37" [412 x 277.5 x 60.4 mm]	19.67 x 12.39 x 2.57" [499.6 x 314.6 x 65.4 mm]	21.94 x 14.26 x 2.56" [557.3 x 362.3 x 64.8 mm]
<b>Mechanical</b>	<b>Net Weight</b>	~ 9.7 lbs [4.4 kg]	~ 10.58 lbs [4.8 kg]	~ 13.01 lbs [5.9 kg]	~ 16.53 lbs [7.5 kg]
	<b>Panel Cutout Dimensions (W x H)</b>	15.43 x 11.50" [392 x 292 mm]	15.51 x 10.24" [394 x 260 mm]	18.98 x 11.69" [482 x 297 mm]	21.22 x 13.54" [539 x 344 mm]
	<b>Mounting</b>	Panel mounting, VESA 100 x 100 mm	Panel mounting, VESA 100 x 100 mm	Panel mounting, VESA 100 x 100 mm	Panel mounting, VESA 100 x 100 mm
	<b>Construction</b>	Silver aluminum front bezel and chassis			
<b>Environmental</b>	<b>Operating Temperature</b>	32~122°F [0~50°C]			
	<b>Storage Temperature</b>	-22~158°F [-30~70°C]			
	<b>Relative Humidity</b>	10 to 90% @ 40°C, non-condensing			
	<b>Rating</b>	IP66 / NEMA 4 when panel mounted			
	<b>Certification</b>	CE / FCC Class A / RoHS			
<b>Operating System</b>	<b>Microsoft Windows Options</b>	Microsoft Windows® 10 IoT Enterprise Embedded 2019 LTSC 64-bit (EPKEA) Microsoft Windows® 10 IoT Enterprise 2019 LTSC 64-bit (PKEA)			
<b>Notes</b>	* CPU PassMark Benchmark comparison with OMI6800A Series (Intel® Celeron™ N2930 CPU) ** Additional SSD options available; contact Maple Systems for details.  Specifications subject to change without notice.				

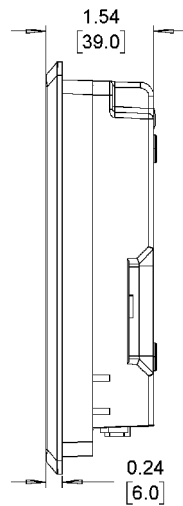
## OMI6807



Top View

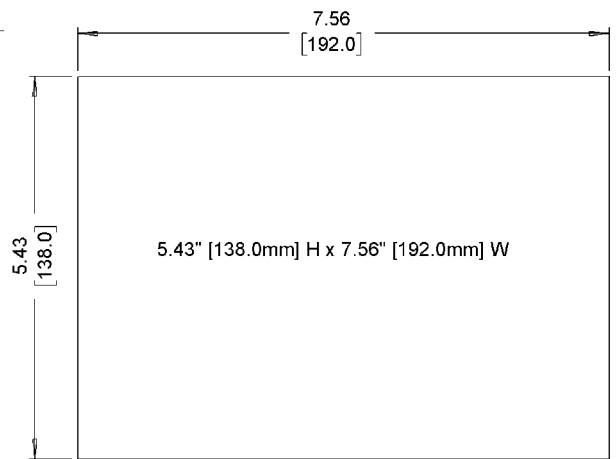


Front View

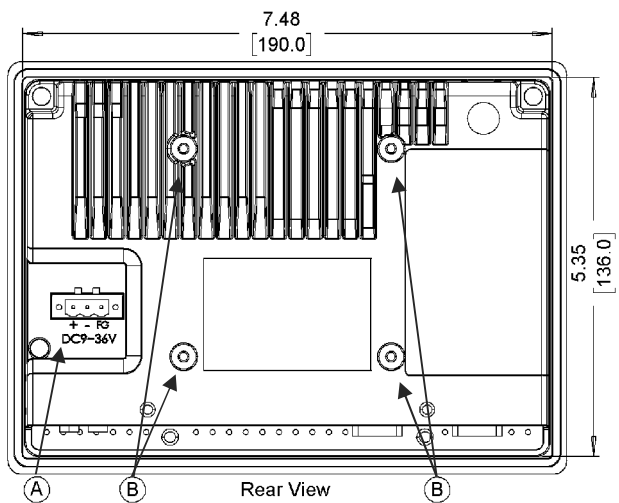


Side View

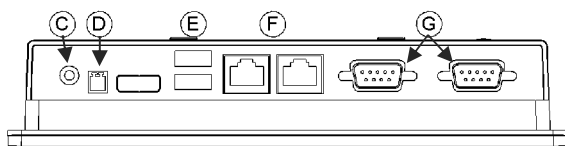
Dimensions are in inches [mm]



Cutout Dimensions



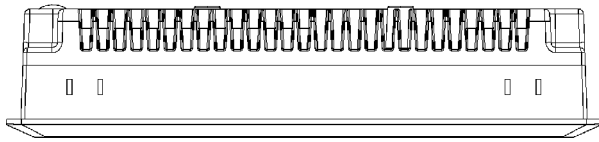
Rear View



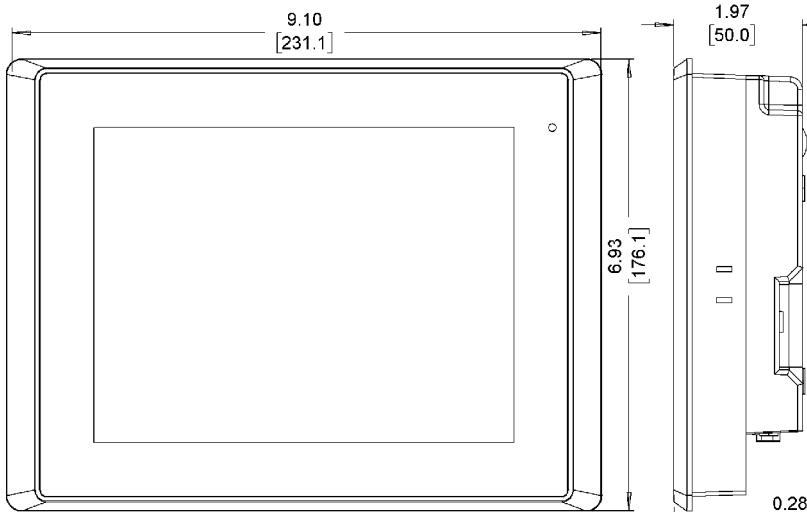
Bottom View

- A Power Connector
- B VESA 75 mm Screw Holes
- C Line Out
- D Remote Power Switch Connector
- E USB 3.0 Host Ports
- F Gigabit Ethernet Ports
- G DE9P COM Ports

## OMI6808



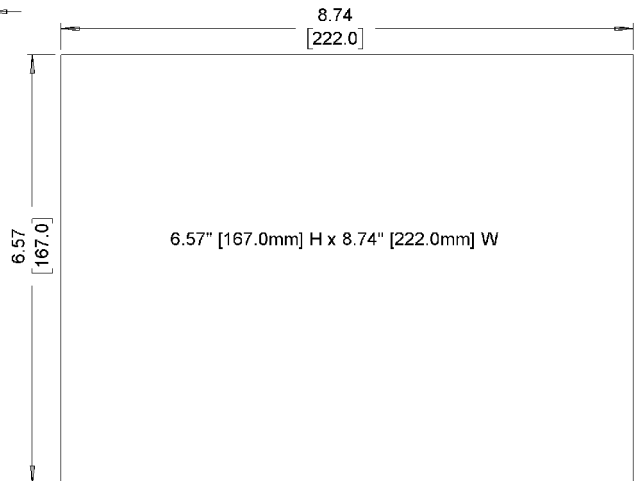
Top View



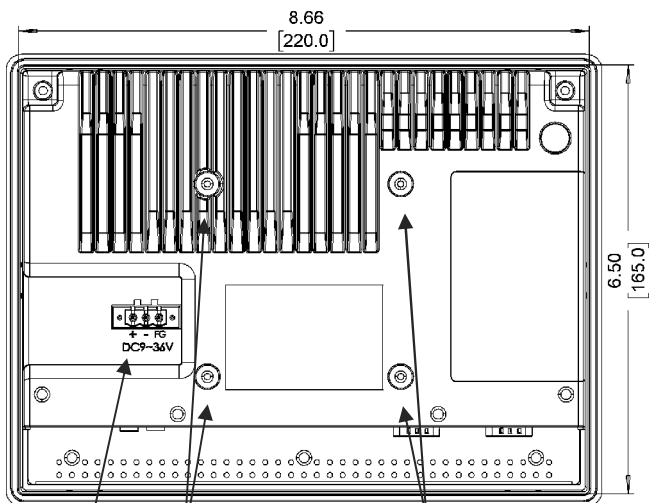
Front View

Side View

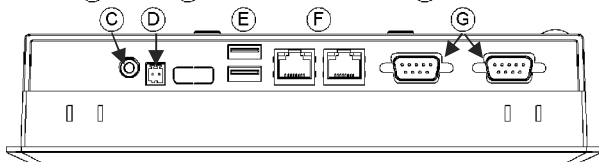
Dimensions are in inches [mm]



Cutout Dimensions



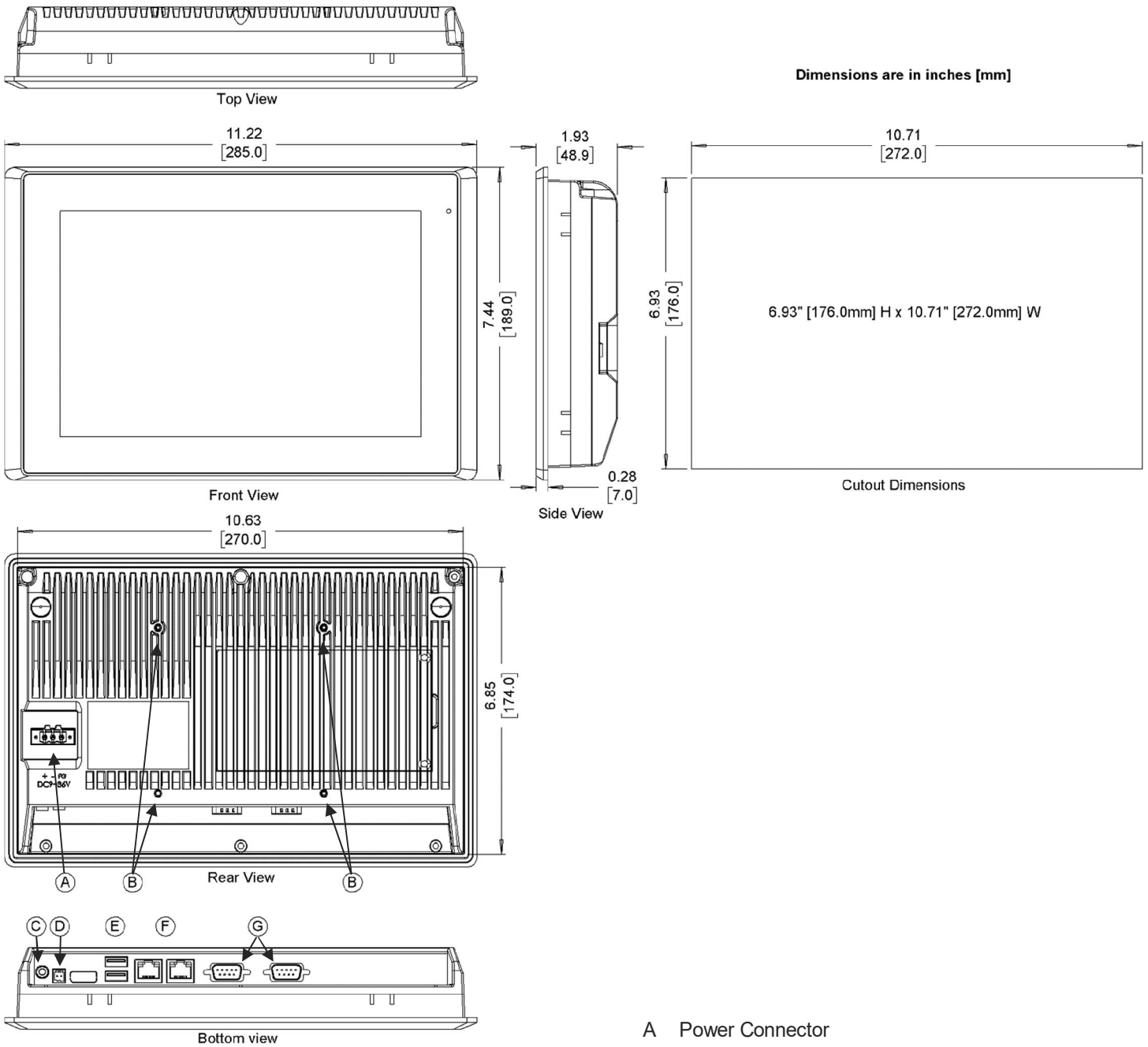
Rear View



Bottom View

- A Power Connector
- B VESA 75 mm Screw Holes
- C Line Out
- D Remote Power Switch Connector
- E USB 3.0 Host Ports
- F Gigabit Ethernet Ports
- G DE9P COM Ports

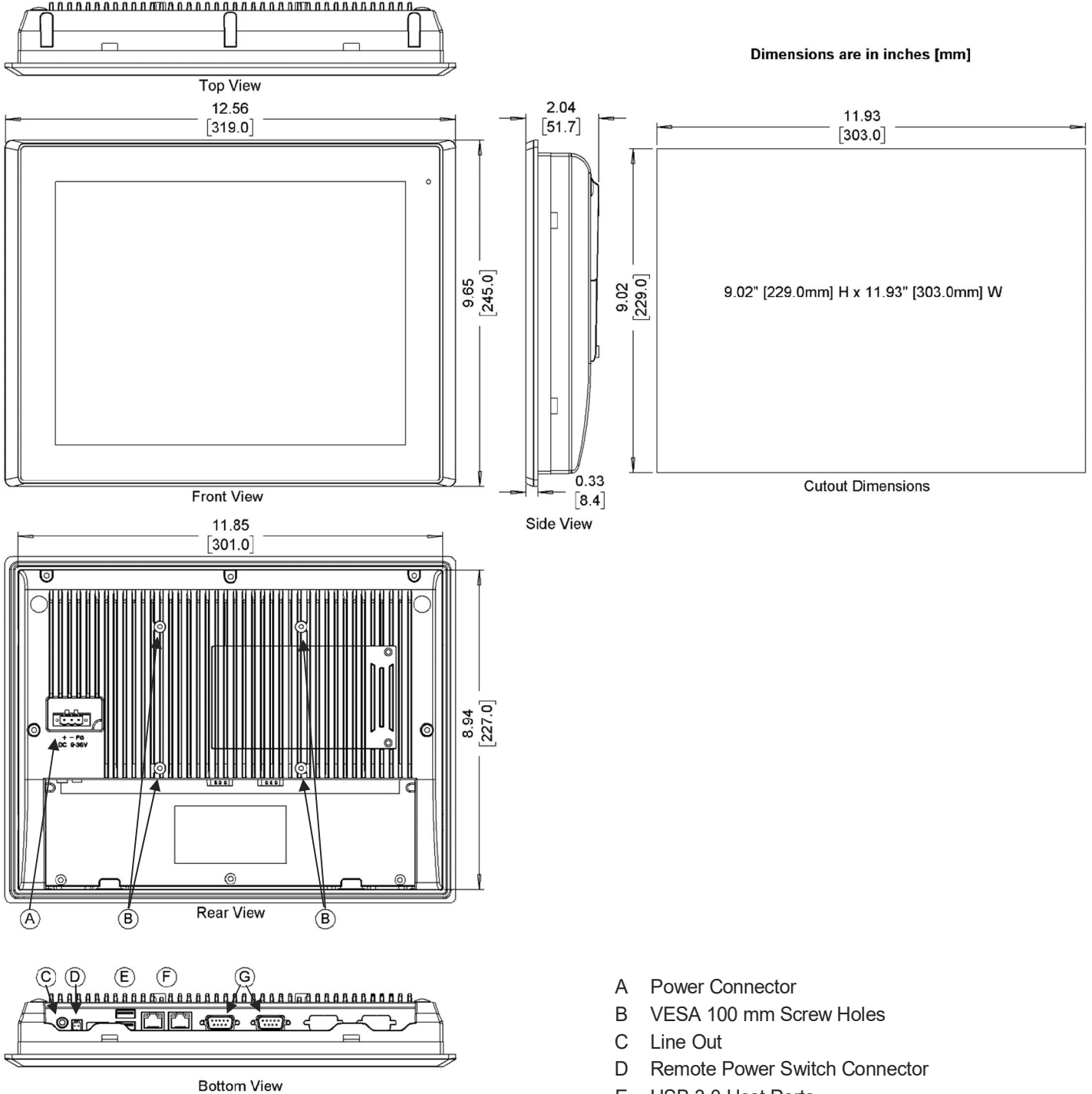
## OMI6810



- A Power Connector
- B VESA 100 mm Screw Holes
- C Line Out
- D Remote Power Switch Connector
- E USB 3.0 Host Ports
- F Gigabit Ethernet Ports
- G DE9P COM Ports

## OMI6812

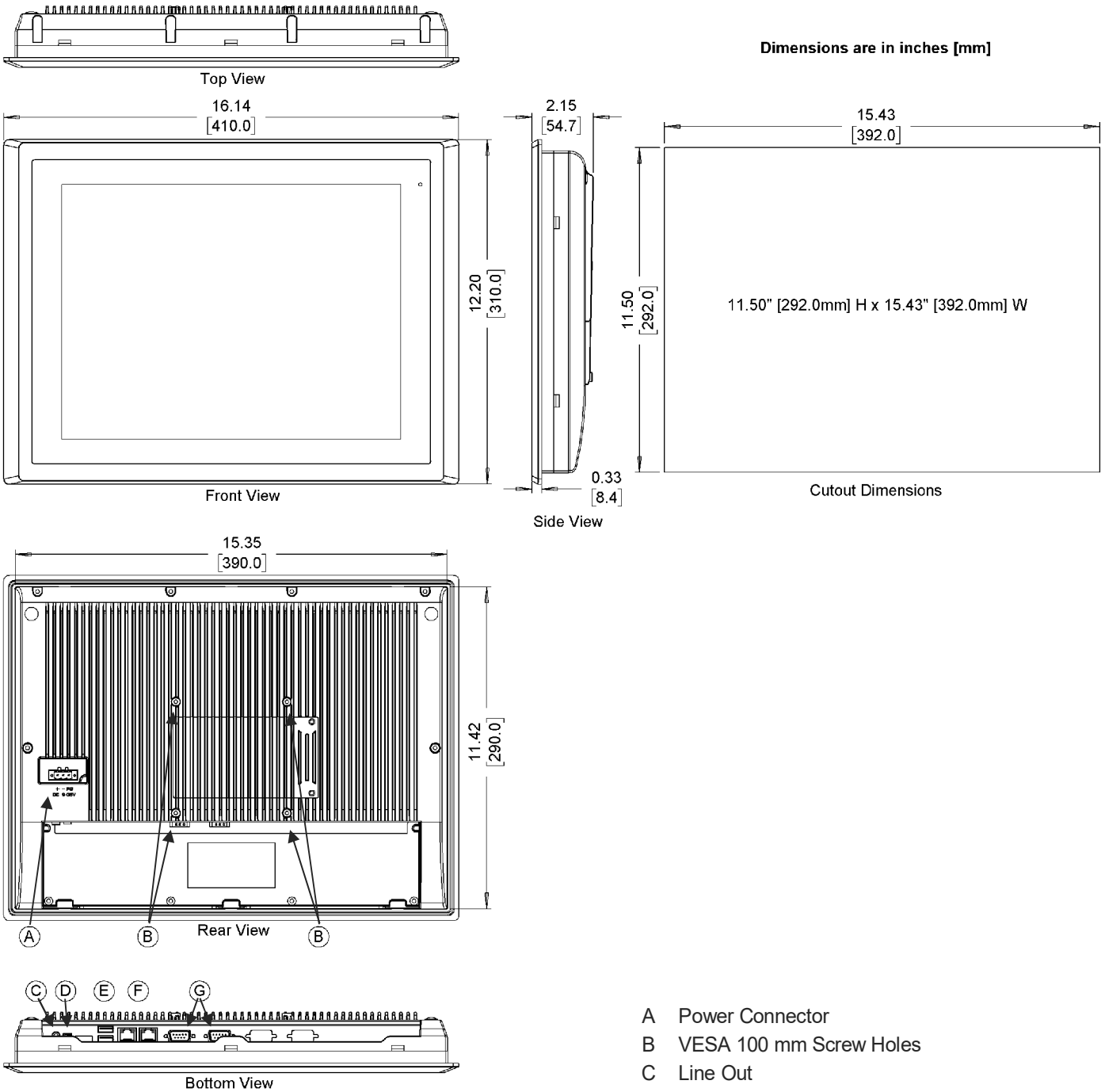
Dimensions are in inches [mm]



- A Power Connector
- B VESA 100 mm Screw Holes
- C Line Out
- D Remote Power Switch Connector
- E USB 3.0 Host Ports
- F Gigabit Ethernet Ports
- G DE9P COM Ports

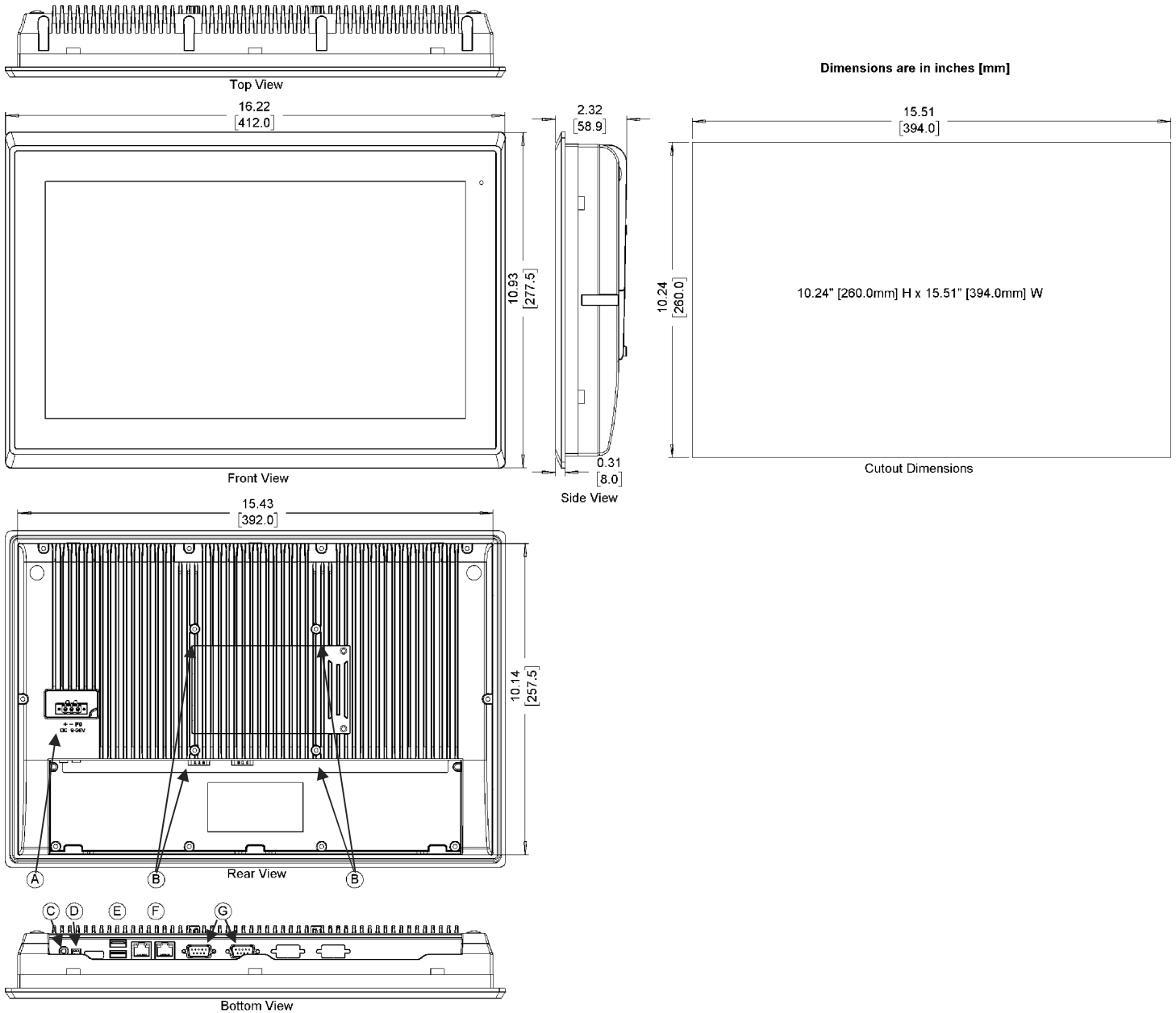
## OMI6815

Dimensions are in inches [mm]



- A Power Connector
- B VESA 100 mm Screw Holes
- C Line Out
- D Remote Power Switch Connector
- E USB 3.0 Host Ports
- F Gigabit Ethernet Ports
- G DE9P COM Port

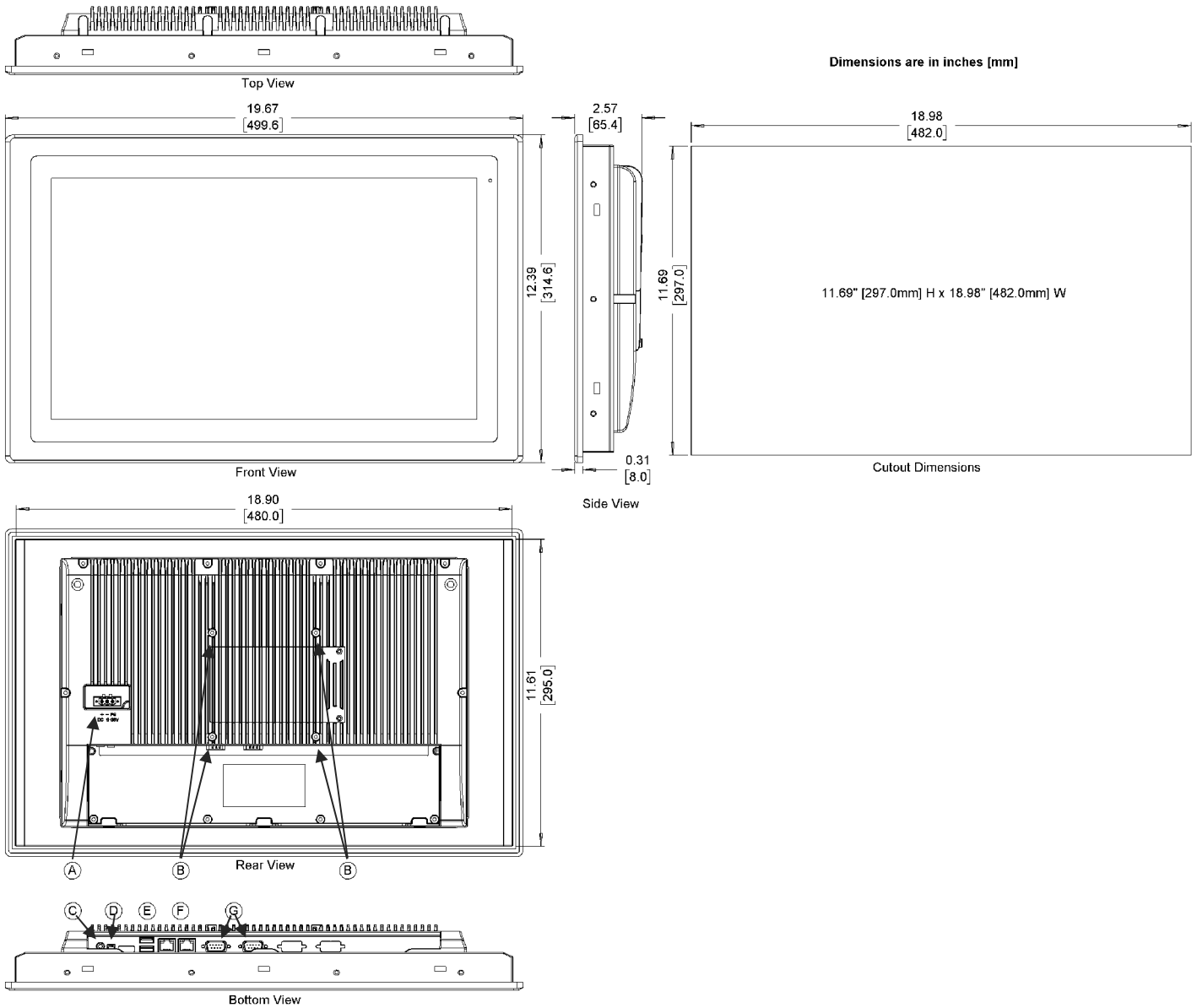
## OMI6816



- A Power Connector
- B VESA 100 mm Screw Holes
- C Line Out
- D Remote Power Switch Connector
- E USB 3.0 Host Ports
- F Gigabit Ethernet Ports
- G DE9P COM Port



## OMI6818



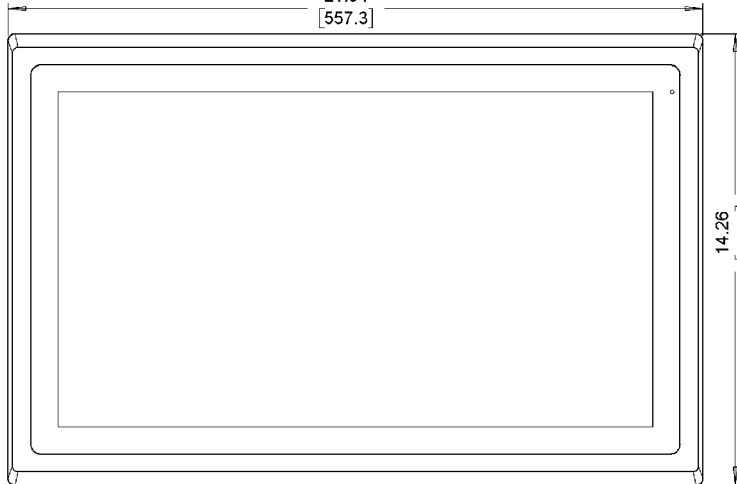
- A Power Connector
- B VESA 100 mm Screw Holes
- C Line Out
- D Remote Power Switch Connector
- E USB 3.0 Host Ports
- F Gigabit Ethernet Ports
- G DE9P COM Ports

# OMI6821



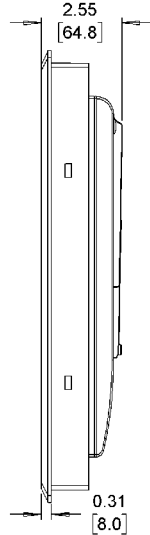
Top View

21.94  
[557.3]



Front View

14.26  
[362.3]

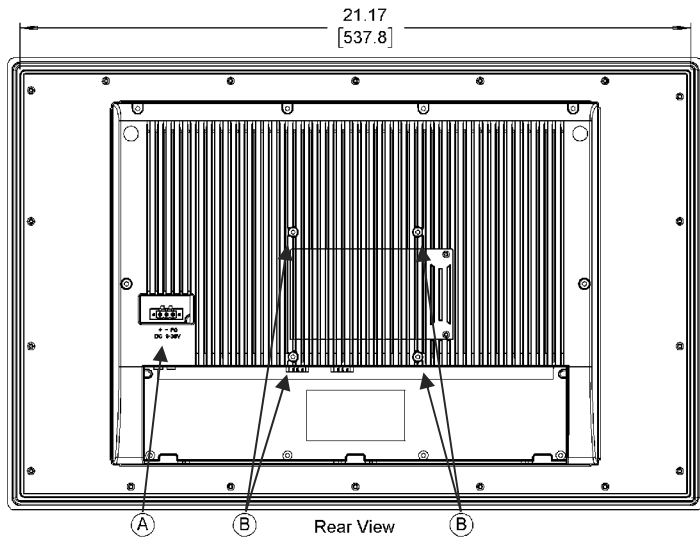


Side View

2.55  
[64.8]

0.31  
[8.0]

Dimensions are in inches [mm]

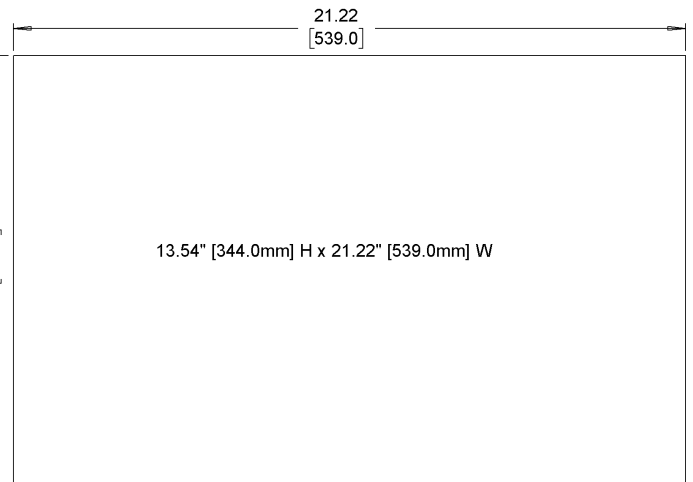


Rear View

21.17  
[537.8]

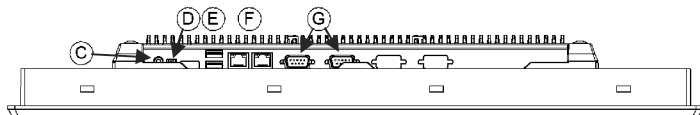
13.48  
[342.4]

13.54  
[344.0]



Cutout Dimensions

13.54" [344.0mm] H x 21.22" [539.0mm] W



Bottom View

- A Power Connector
- B VESA 100 mm Screw Holes
- C Line Out
- D Remote Power Switch Connector
- E USB 3.0 Host Ports
- F Gigabit Ethernet Ports
- G DE9P COM Ports