



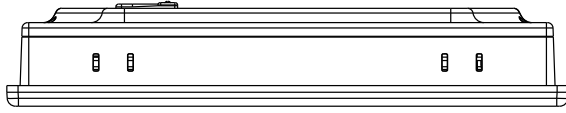
7" Dual-Ethernet Industrial HMI



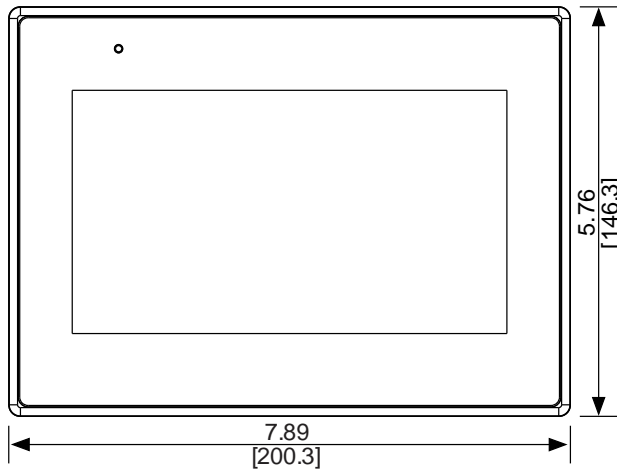
- 800 x 480 Pixel Resolution
- 2 Ethernet Ports
- 2 Serial Ports
- 1 USB Host Port

System	CPU	32-bit RISC Cortex-A8, 600 MHz
	Memory (RAM)	128 MB
	Memory (Flash)	128 MB
	RTC	Built-in
I/O Ports	Serial	1 x DE9P COM1: RS-232, COM3: RS-232* 1 x DE9S COM2: RS-485 2 or 4 wire, COM3: RS-485 2 wire
	Ethernet	2 x 10/100/1000 Base-T
	CANbus	N/A
	USB Host	1 x USB 2.0
	USB Client	N/A
	Audio	N/A
	Video	N/A
	Wi-Fi	N/A
	HDMI	N/A
	SD Card Slot	N/A
Display	Display Type	7" TFT LCD
	Size (W x H)	6.07 x 3.42 inches [155 x 87 mm]
	Resolution (pixels)	800 x 480
	Luminance (cd/m²)	400
	Contrast Ratio	800:1
	Max. Colors	16.7 M
	Backlight Lifetime (hours)	30,000+
Touch Screen	Type	4-wire resistive touch
	Active Area Accuracy	Length (X) ± 2%, width (Y) ± 2%
Electrical	Input Voltage	24 ± 20% VDC
	Input Current	600 mA @ 24 VDC
	Power Isolation	Built-in
	Isolation Resistance	Exceed 50 MΩ at 500 VDC
Mechanical	Enclosure	Plastic, light grey
	PCB Coating	Yes
	Dimensions (W x H x D)	7.89 x 5.76 x 1.34 inches [200 x 146 x 34 mm]
	Weight	1.32 lbs. [0.6 kg]
	Mounting	Panel mounting
Environmental	Operating Temperature	32° ~ 122° F (0° ~ 50° C)
	Storage Temperature	-4° ~ 140° F (-20° ~ 60° C)
	Relative Humidity	10% ~ 90% (non-condensing)
	Vibration Endurance	10 to 25 Hz (X, Y, Z direction, 2 G, 30 minutes)
	Ratings	IP65 compliant front panel, NEMA 4X indoor use only
	Certifications	cULus, CE, RoHS
Software	EZwarePlus (v4.00.01 or later) EasyAccess 2.0 license comes pre-installed	
Notes	*RTS/CTS cannot be used for COM1 RS-232 while COM3 RS-232 is in use.	

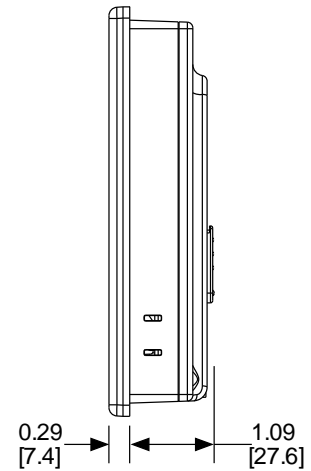
Top View



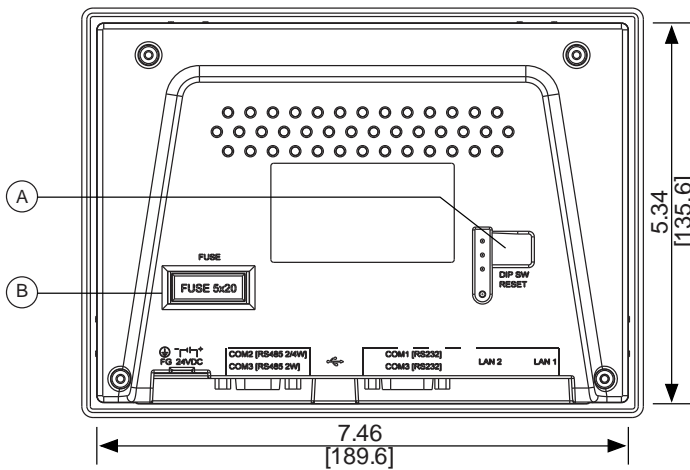
Front View



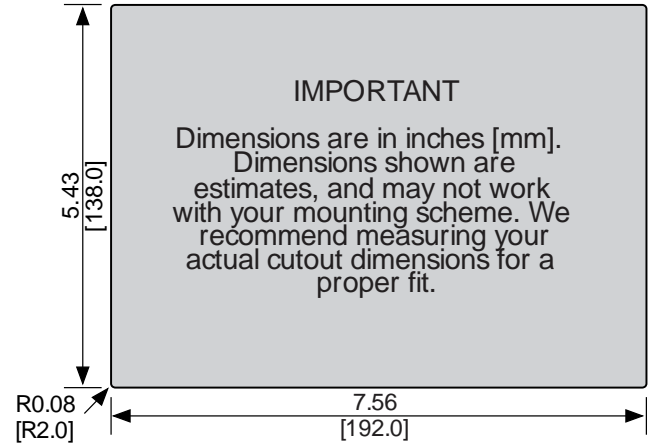
Side View



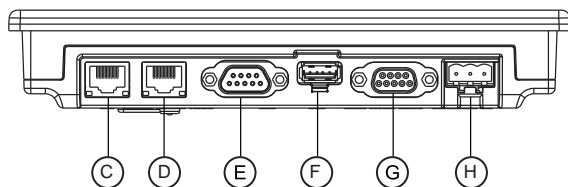
Rear View



Cutout Dimensions



Bottom View



Dimensions are in inches [mm]

- | | | | |
|-----------------|---------------------|-----------------|-------------------|
| Ⓐ DIP Switch | Ⓑ Fuse | Ⓒ Ethernet Port | Ⓓ Ethernet Port |
| Ⓔ Com Port DE9P | Ⓕ USB 2.0 Host Port | Ⓖ Com Port DE9S | Ⓗ Power Connector |