

9.7" Capacitive Touch Screen Display

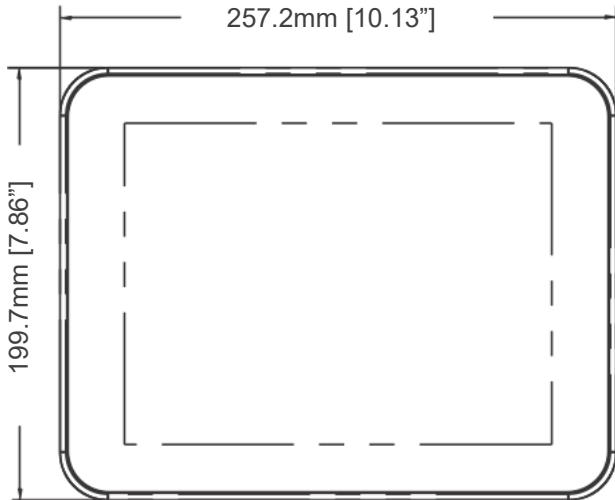


- Capacitive Touch Screen
- 1024 x 768 Pixel Resolution
- 32 Bit RISC Cortex-A9, 1 GHz CPU
- Ethernet
- Display Only, Built-in cMT Viewer Application

System	CPU	32-bit RISC Cortex-A9, 1 GHz
	Memory (RAM)	1 GB
	Memory (Flash)	512 MB
	RTC	Built-in
I/O Ports	Serial	N/A
	LAN	1 x GbE RJ-45
	CANbus	N/A
	USB Host	N/A
	USB Client	N/A
	Audio	Built-in mono speaker
	Video	N/A
	Wi-Fi	N/A
	HDMI®	N/A
	SD Card Slot	N/A
Display	Display Type	9.7" TFT LCD
	Size (W x H)	7.8 x 5.8 inches [197 x 148 mm]
	Max. Resolution	1024 x 768
	Max. Color	262 K
	Luminance (cd/m ²)	350
	View Angle (H°/V°)	140/130
	Contrast Ratio	500:1
	Backlight Lifetime (Hours)	30,000+
Touch Screen	Type	Tempered glass, capacitive type (supports 2-finger gestures)
	Active Area Accuracy	Length (X) ±2%, width (Y) ±2%
Electrical	Input Voltage	24 ± 20% VDC
	Input Current	900 mA @ 24 VDC
	Power Isolation	Built-in
	Isolation Resistance	Exceed 50 MΩ at 500 VDC
Mechanical	Enclosure	Plastic, black and silver
	PCB Coating	Yes
	Dimensions (W x H x D)	10.13 x 7.86 x 1.29 inches [257.2 x 199.7 x 32.7 mm]
	Net Weight	Approx. 1.68 lbs. [0.76 kg]
Environmental	Mounting	Panel mounting, VESA 75 x 75
	Operating Temperature	32° ~ 122°F [0° ~ 50°C]
	Storage Temperature	-4° ~ 140°F [-20° ~ 60°C]
	Relative Humidity	10% ~ 90% (non-condensing)
	Vibration Endurance	10 to 25 Hz (X, Y, Z direction, 2G, 30 minutes)
	Rating	IP65 front panel, NEMA 4X
Software	Certifications	cULus, CE, RoHS
	Software	cMT Viewer
Notes		



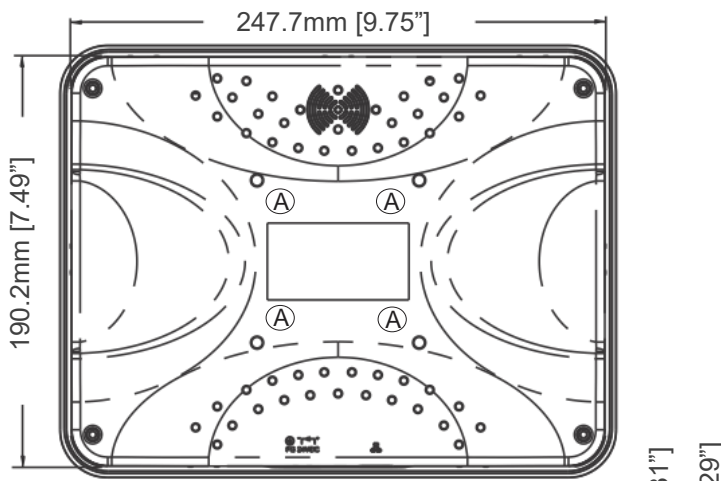
Top View



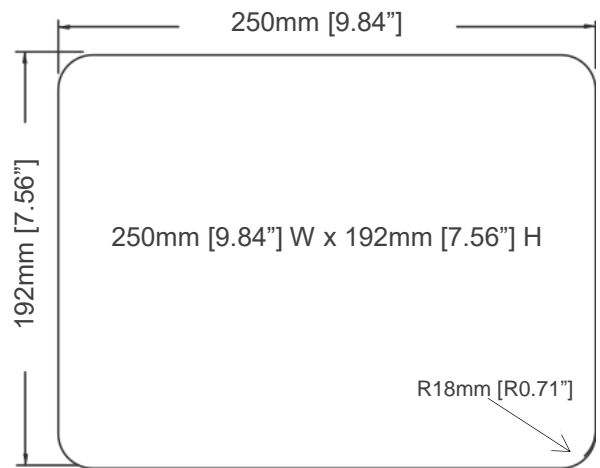
Front View



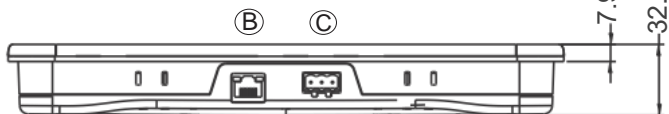
Side View



Rear View



Cutout Dimensions



Bottom View

- A VESA 75mm Screw Holes
- B Gigabit Ethernet Port
- C Power Connector